



## Connection cable M12 4-pin with coupling ring, plastic

### Product characteristics

- Good resistance to chemicals and oil
- High protection class and high temperature range to meet the demands of adverse industrial environments
- Suitable for the elo USB IO-Link Master used for connecting IO-Link-capable sensors

## Technical drawing

IMAGE 1/6

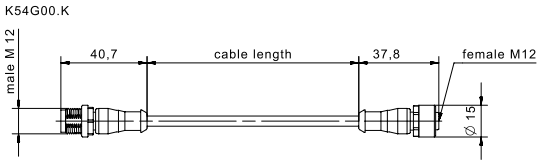
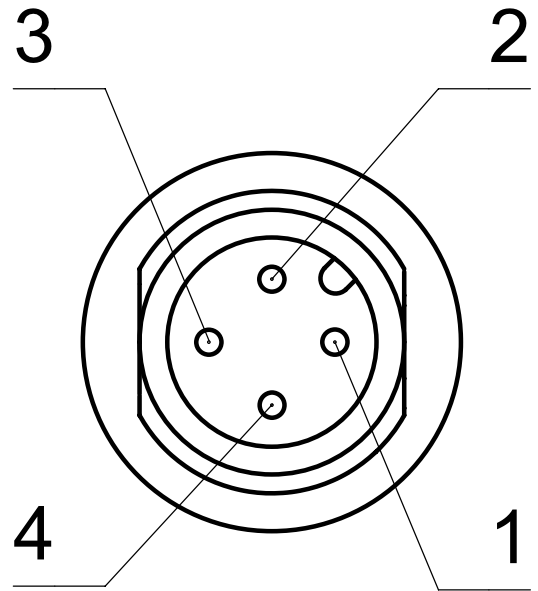


IMAGE 2/6

## male M12



## female M12

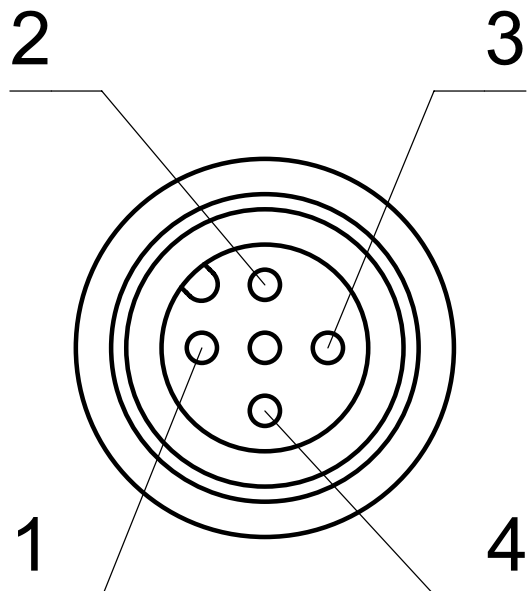


IMAGE 3/6

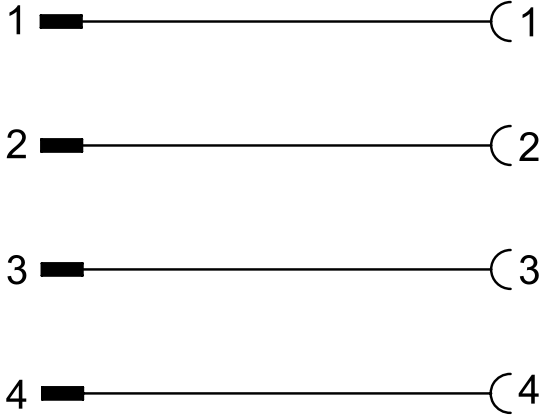


IMAGE 4/6

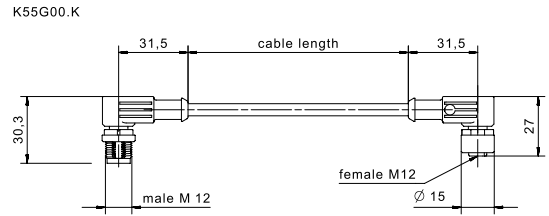
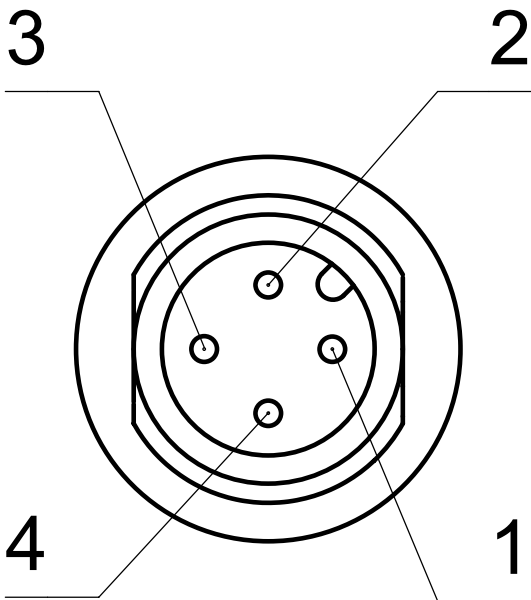




IMAGE 5/6

# male M12



# female M12

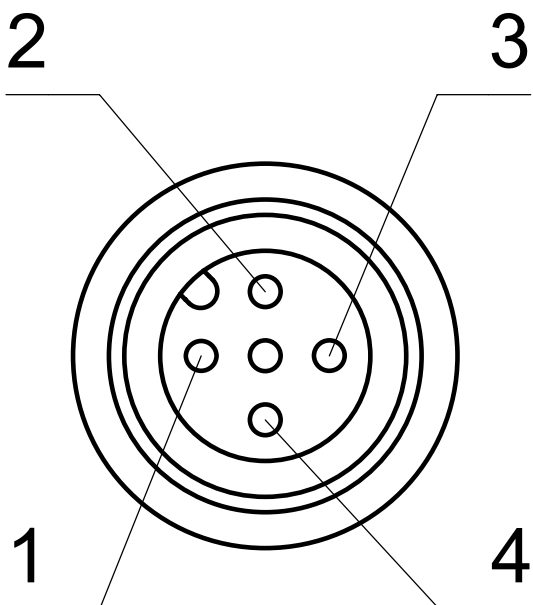
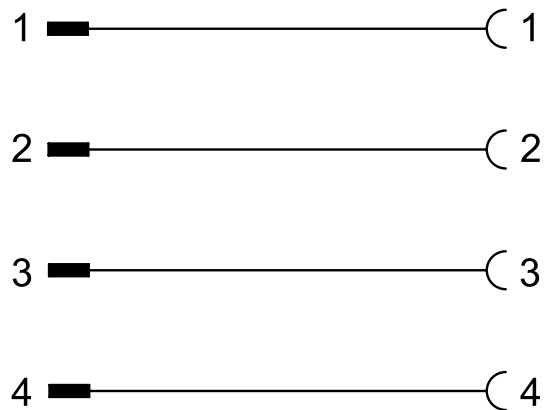


IMAGE 6/6





## Electrical data

Attribute	K54G...K	K55G...K
Max. switching current per contact	4 A	
Rated impulse withstand voltage (Uimp)	2500 V	
Operating voltage max.	30 V DC	
Operating voltage max.	30 V AC	

## Properties

Attribute	K54G...K	K55G...K
Cable colour	grau	

## Material information

Attribute	K54G...K	K55G...K
Cable material	PVC	
Nut material	PA	
Overmould material	PUR	



## Environmental conditions

Attribute	K54G...K	K55G...K
Min. storage temperature	-25 °C	-30 °C
Max. storage temperature	80 °C	
Min. cable temperature range, moving	-5 °C	
Max. cable temperature range, moving	80 °C	
Min. cable temperature range, fixed installation	-25 °C	-30 °C
Max. cable temperature range, fixed installation	80 °C	

## Installation

Attribute	K54G...K	K55G...K
Torque for nuts	0,6 N m	

## Connection

Attribute	K54G...K	K55G...K
Connector type	M12 Stecker / Buchse gerade	M12 Stecker / Buchse gewinkelt
Cable length	10 m	
Cable diameter	4,8 mm	
Number of pins	4	
Number of strands	4	
Wire cross section	0.25 mm <sup>2</sup>	

## Approvals

Attribute	K54G...K	K55G...K
Certified in accordance with	UL/CSA ECOLAB	