



Circular connector M12 4-pin/5-pin/8-pin with coupling ring, plastic

Product characteristics

- Good resistance to chemicals and oil
- ECOLAB approval
- High protection class and high temperature range to meet the demands of adverse industrial environments
- Suitable for all sensors and float switches with appropriate connection

Technical drawing

IMAGE 1/9

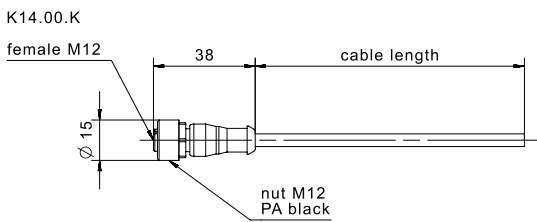


IMAGE 2/9

female M12

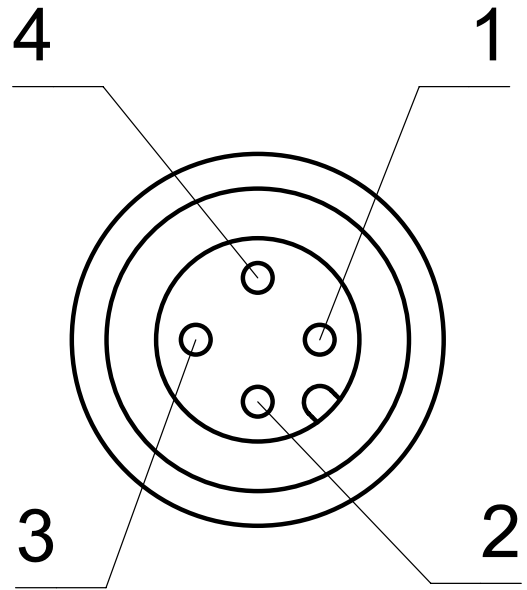


IMAGE 3/9

- 1) ————— BN
- 2) ————— WH
- 3) ————— BU
- 4) ————— BK

IMAGE 4/9

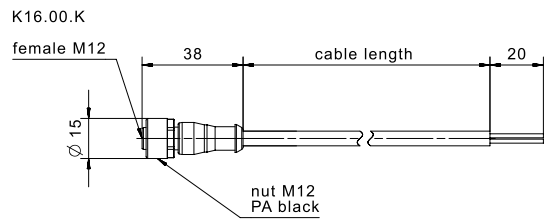


IMAGE 5/9

female M12

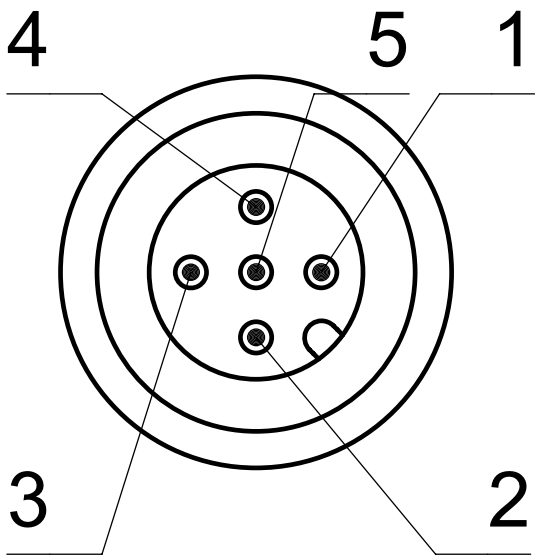


IMAGE 6/9

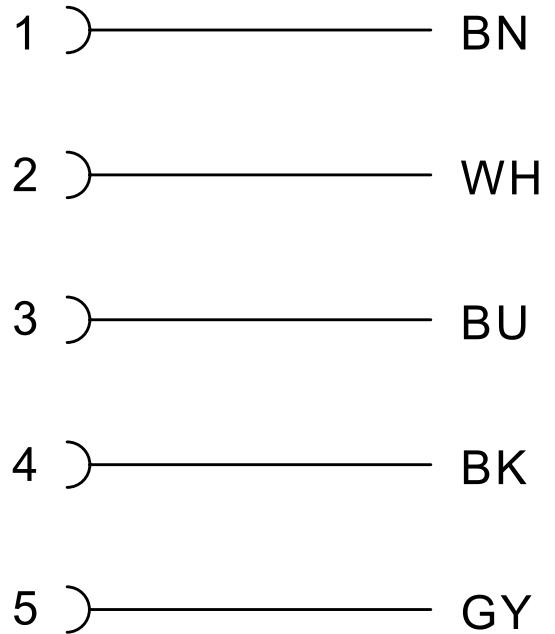


IMAGE 7/9

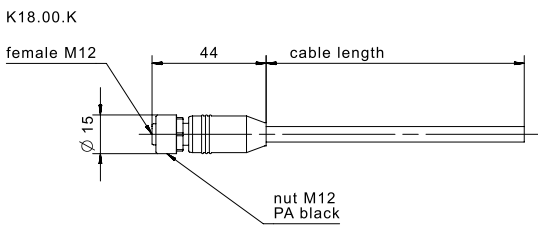


IMAGE 8/9

female M12

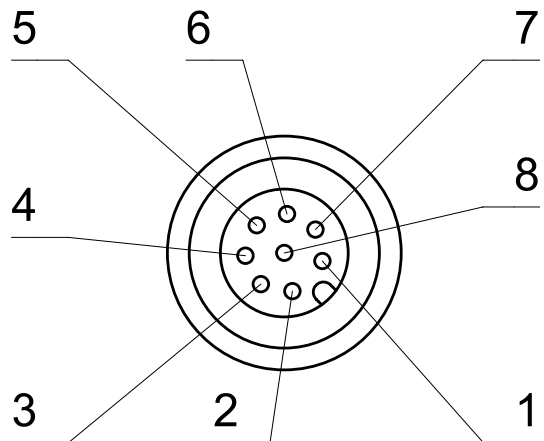


IMAGE 9/9

1) ————— BN

2) ————— WH

3) ————— BU

4) ————— BK

5) ————— GY

6) ————— PK

7) ————— VT

8) ————— OG

Electrical data

Attribute	K14G...K	K16G...K	K16H...K	K18G...K
Max. switching current per contact	4 A			2 A
Rated impulse withstand voltage (Uimp)	2500 V	1500 V		800 V
Operating voltage max.	250 V DC	125 V DC		30 V DC
Operating voltage max.	250 V AC	125 V AC		30 V AC

Properties

Attribute	K14G...K	K16G...K	K16H...K	K18G...K
Cable colour	grau	schwarz		grau

Material information

Attribute	K14G...K	K16G...K	K16H...K	K18G...K
Cable material	PVC		PUR	PVC
Nut material	PA			
Overmould material	PUR	PVC	PUR	

Environmental conditions

Attribute	K14G...K	K16G...K	K16H...K	K18G...K
Operating temperature min.	-30 °C		-40 °C	-30 °C
Max. operating temperature	80 °C			
Min. storage temperature	-30 °C		-40 °C	-30 °C
Max. storage temperature	80 °C			
Min. cable temperature range, moving	-5 °C		-25 °C	-5 °C
Max. cable temperature range, moving	80 °C			
Min. cable temperature range, fixed installation	-30 °C		-40 °C	-30 °C
Max. cable temperature range, fixed installation	80 °C			

Installation

Attribute	K14G...K	K16G...K	K16H...K	K18G...K
Torque for nuts	0,6 N m			

Connection

Attribute	K14G...K	K16G...K	K16H...K	K18G...K
Connector type	M12 Buchse gerade			
Cable length	10 m			
Cable diameter	4,7 mm	5,2 mm	5 mm	6 mm
Number of pins	4	5		8
Number of strands	4	5		8
Wire cross section	0.25 mm ²	0.34 mm ²		0.25 mm ²

Approvals

Attribute	K14G...K	K16G...K	K16H...K	K18G...K
Certified in accordance with	UL/CSA ECOLAB			