



Float switch 207KS

The float switch side mount 207KS with robust mechanical hinge is ideal for use in applications that require reliable monitoring under powerful flows. It is available with two different mounting options, so ideal for use in a range of applications and industries, eg the detection of fluid levels in water treatment containers, mechanical engineering and plant construction. The float switch also has a specially designed compression grommet which allows it to be installed from the outside. The switching function is reversible by simply rotating the float switch, making this a highly flexible and cost-effective solution.

Product characteristics

- Level measurement on reed-contact basis
- Mechanical hinge allows use in powerful flows
- Material: PP or PA12
- Mounting options: NPT thread or compression grommet
- Available connection types: cable outlet, M12 connector or pigtail
- Contact form: N.O., N.C. or changeover
- Temperature range from -25 °C to +105 °C
- Switching voltage up to max. 250V
- IP67 protection class

Technical drawing

IMAGE 1/12

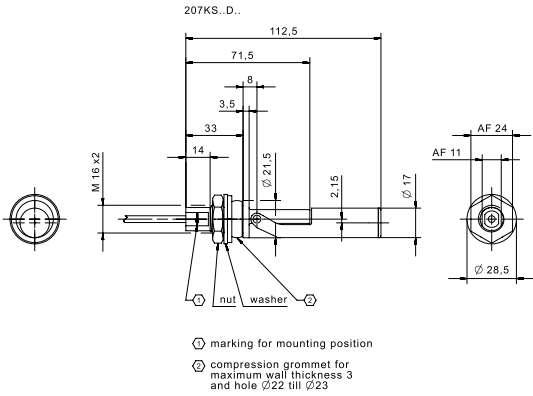


IMAGE 2/12

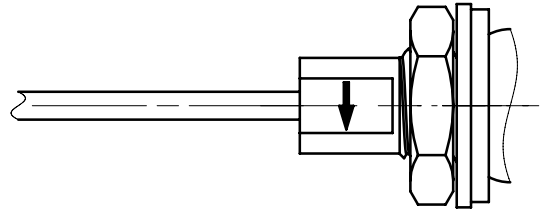


IMAGE 3/12

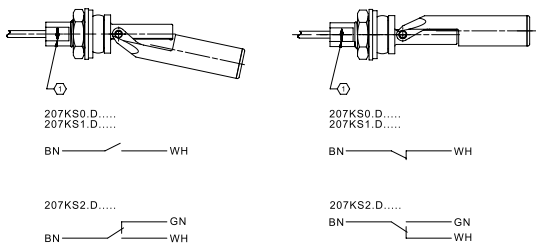


IMAGE 4/12

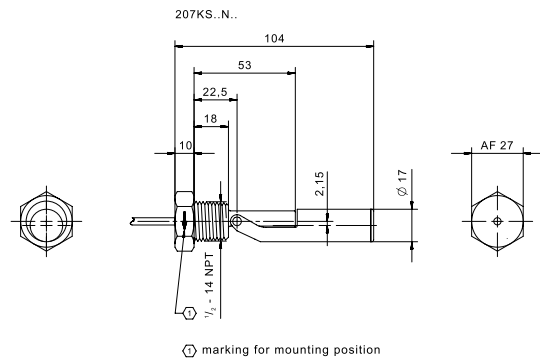


IMAGE 5/12

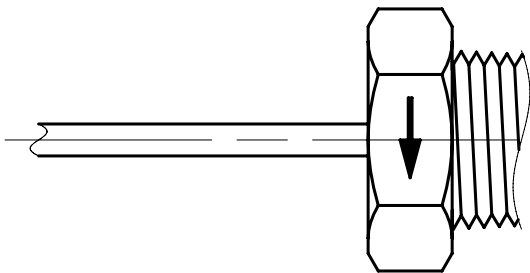


IMAGE 6/12

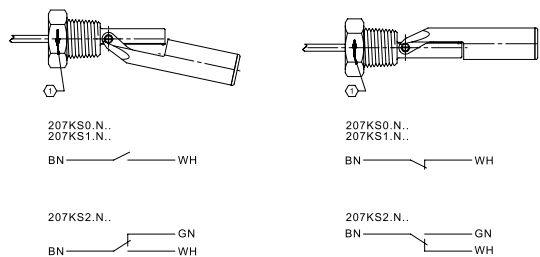


IMAGE 7/12

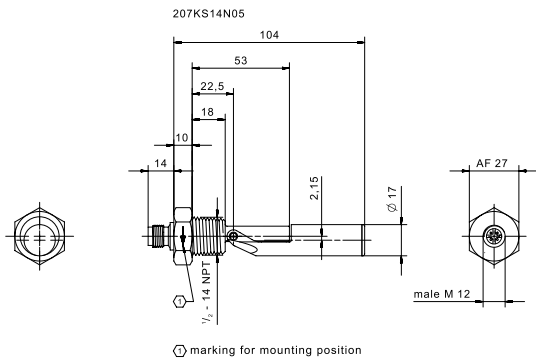


IMAGE 8/12

male M12

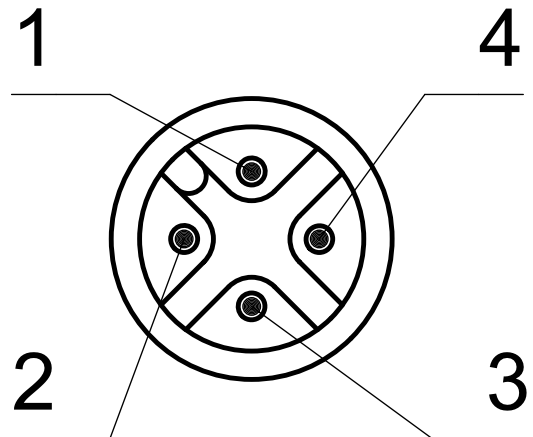


IMAGE 9/12

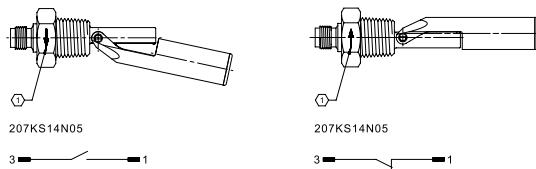


IMAGE 10/12

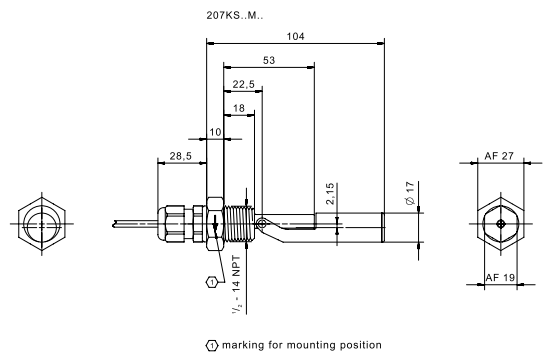


IMAGE 11/12

cable gland
 PA

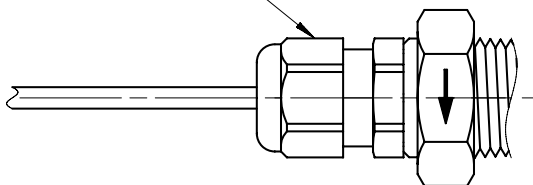
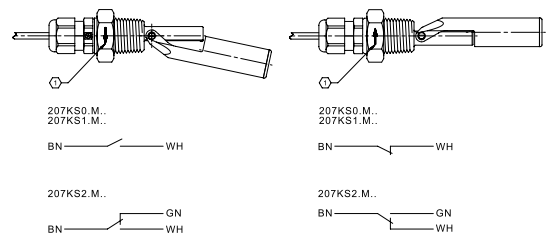


IMAGE 12/12



Electrical data

Attribute	207KS12D	207KS12N	207KS14D	207KS14N	207KS14N05	207KS22D ▶
Max. switching voltage	250 V DC					48 V DC
Max. switching voltage	250 V AC					48 V AC
Max. switching current	1 A					0.25 A
Max. switching power	50 W					3 W
Contact form	1A or 1B					1C
Output signal	digital					
Technology	Reed					

Electrical data

Attribute	207KS22N	207KS24D	207KS24N
Max. switching voltage	48 V DC		
Max. switching voltage	48 V AC		
Max. switching current	0.25 A		
Max. switching power	3 W		
Contact form	1C		
Output signal	digital		
Technology	Reed		

Mechanical data

Attribute	207KS12D	207KS12N	207KS14D	207KS14N	207KS14N05	207KS22D ▶
Float diameter	17 mm					
Version	Mechanical hinge					

Mechanical data

Attribute	207KS22N	207KS24D	207KS24N
Float diameter	17 mm		
Version	Mechanical hinge		

Material information

Attribute	207KS12D	207KS12N	207KS14D	207KS14N	207KS14N05	207KS22D ▶
Housing material	PP		PA12			PP
Float material	PP		PA12			PP
Cable material	PVC				-	PVC

Material information

Attribute	207KS22N	207KS24D	207KS24N
Housing material	PP	PA12	
Float material	PP	PA12	
Cable material	PVC		

Environmental conditions

Attribute	207KS12D	207KS12N	207KS14D	207KS14N	207KS14N05	207KS22D ▶
Operating temperature min.	-25 °C					
Max. operating temperature	105 °C					
Pressure resistance	3 bar					
Protection class outside container	IP67 DIN EN 60529					
Protection class inside container	IP68 DIN EN 60529					

Environmental conditions

Attribute	207KS22N	207KS24D	207KS24N
Operating temperature min.		-25 °C	
Max. operating temperature		105 °C	
Pressure resistance		3 bar	
Protection class outside container		IP67 DIN EN 60529	
Protection class inside container		IP68 DIN EN 60529	

Installation

Attribute	207KS12D	207KS12N	207KS14D	207KS14N	207KS14N05	207KS22D ▶
Mounting type	Compression grommet	Thread	Compression grommet	Thread		Compression grommet
Thread	-	G 1/2 - 14NPT	-	G 1/2 - 14NPT		-
Installation opening	D22-23	G 1/2 - 14NPT	D22-23	G 1/2 - 14NPT		D22-23

Installation

Attribute	207KS22N	207KS24D	207KS24N
Mounting type	Thread	Compression grommet	Thread
Thread	G 1/2 - 14NPT	-	G 1/2 - 14NPT
Installation opening	G 1/2 - 14NPT	D22-23	G 1/2 - 14NPT

Connection

Attribute	207KS12D	207KS12N	207KS14D	207KS14N	207KS14N05	207KS22D ▶
Connector type	-				M12	-
Cable length	1 m				-	1 m

Connection

Attribute	207KS22N	207KS24D	207KS24N
Connector type		-	
Cable length		1 m	