



Float switch 205KS

The float switch side mount 205KS with Teflon hinge is ideal for use in media that has a tendency to clump or contains contaminants that need to be monitored. It is available with two different mounting options, so ideal for use in a range of applications and industries, eg the detection of fluid levels in water treatment containers, mechanical engineering and plant construction. The float switch also has a specially designed compression grommet which allows it to be installed from the outside. The switching function is reversible by simply rotating the float switch, making this a highly flexible and cost-effective solution.

Product characteristics

- Level detection on reed-contact basis
- Teflon hinge for use in high-viscosity or contaminated media
- Material: PP or PVDF
- Mounting options: G 1/2 thread or compression grommet
- Available connection types: cable outlet, M12 connector or pigtail
- Contact form: N.O., N.C. or changeover
- Temperature range from -25 °C to +105 °C
- Switching voltage up to max. 250V
- IP67 protection class

Technical drawing

IMAGE 1/9

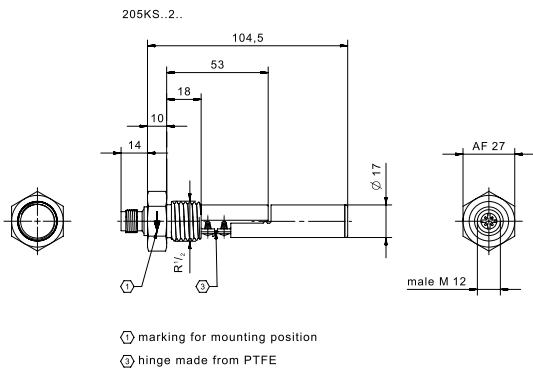


IMAGE 2/9

male M12

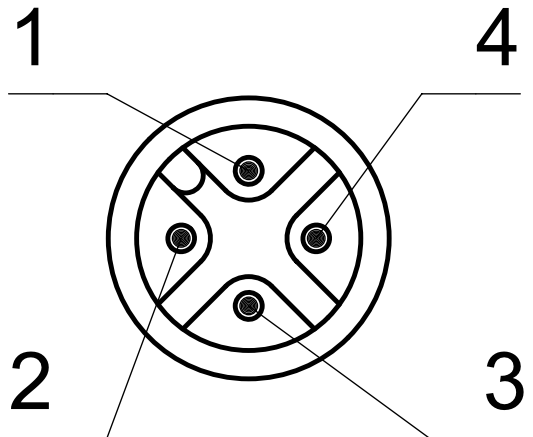


IMAGE 3/9

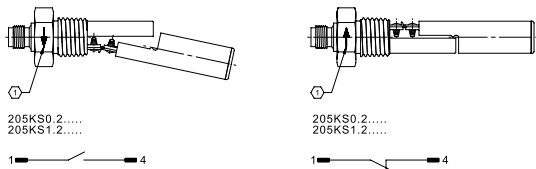


IMAGE 4/9

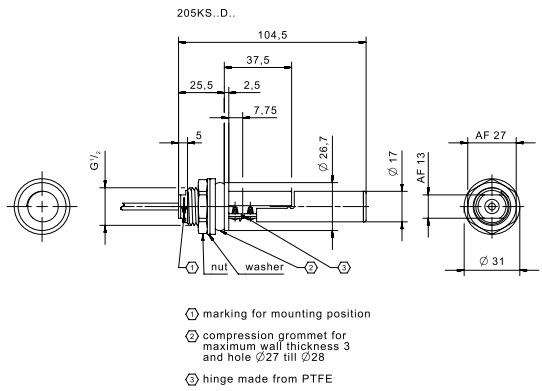


IMAGE 5/9

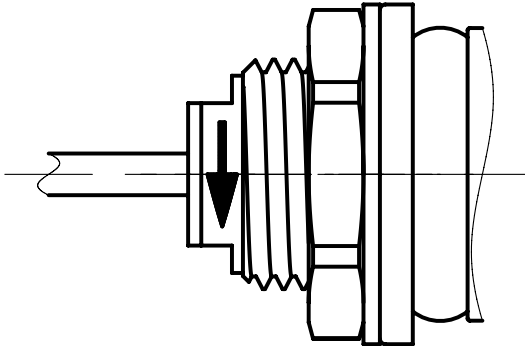


IMAGE 6/9

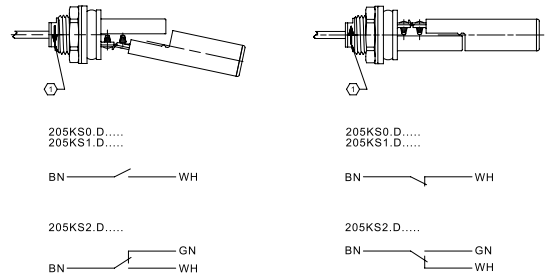


IMAGE 7/9

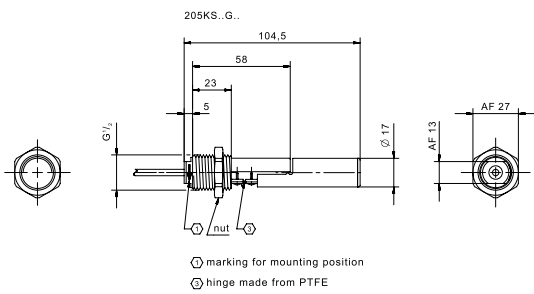


IMAGE 8/9

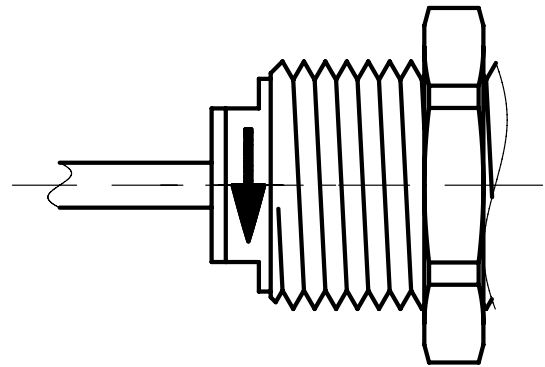
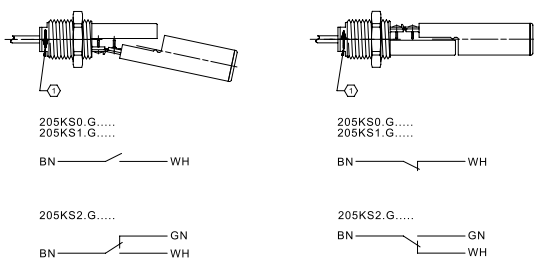


IMAGE 9/9



Electrical data

Attribute	205KS12D	205KS12G	205KS120	205KS122	205KS22D	205KS22G ▶
Max. switching voltage	250 V DC				48 V DC	
Max. switching voltage	250 V AC				48 V AC	
Max. switching current	1 A				0.25 A	
Max. switching power	50 W				3 W	
Contact form	1A or 1B				1C	
Output signal	digital					
Technology	Reed					

Electrical data

Attribute	205KS220
Max. switching voltage	48 V DC
Max. switching voltage	48 V AC
Max. switching current	0.25 A
Max. switching power	3 W
Contact form	1C
Output signal	digital
Technology	Reed

Mechanical data

Attribute	205KS12D	205KS12G	205KS120	205KS122	205KS22D	205KS22G ▶
Float diameter	17 mm					
Version	Teflon hinge					

Mechanical data

Attribute	205KS220
Float diameter	17 mm
Version	Teflon hinge

Material information

Attribute	205KS12D	205KS12G	205KS120	205KS122	205KS22D	205KS22G ▶
Housing material	PP					
Float material	PP					
Cable material	PVC		-		PVC	

Material information

Attribute	205KS220
Housing material	PP
Float material	PP
Cable material	PVC

Environmental conditions

Attribute	205KS12D	205KS12G	205KS120	205KS122	205KS22D	205KS22G ▶
Operating temperature min.	-25 °C					
Max. operating temperature	105 °C					
Pressure resistance	3 bar					
Protection class outside container	IP67 DIN EN 60529					
Protection class inside container	IP68 DIN EN 60529					

Environmental conditions

Attribute	205KS220
Operating temperature min.	-25 °C
Max. operating temperature	105 °C
Pressure resistance	3 bar
Protection class outside container	IP67 DIN EN 60529
Protection class inside container	IP68 DIN EN 60529

Installation

Attribute	205KS12D	205KS12G	205KS120	205KS122	205KS22D	205KS22G ▶
Mounting type	Thread					
Thread	G 1/2					
Installation opening	G1/2	G 1/2	G1/2	G 1/2	G1/2	

Installation

Attribute	205KS220
Mounting type	Thread
Thread	G 1/2
Installation opening	G1/2

Connection

Attribute	205KS12D	205KS12G	205KS120	205KS122	205KS22D	205KS22G ▶
Connector type	-			M12	-	
Cable length	1 m			-	1 m	

Connection

Attribute	205KS220
Connector type	-
Cable length	1 m