



Float switch 204KS

The float switch side mount 204KS is extremely compact and has two different mounting options, making it ideal for use in a range of applications and industries, eg the detection of fluid levels in water treatment containers, mechanical engineering and plant construction. The float switch also has a specially designed compression grommet which allows it to be installed from the outside. The switching function is reversible by simply rotating the float switch, making this a highly flexible and cost-effective solution.

Product characteristics

- Level measurement on reed-contact basis
- Extremely compact design
- Mechanical hinge allows use in powerful flows
- Material: PP or PA12
- Mounting options: G 1/2 thread or compression grommet
- Available connection types: cable outlet, M12 connector or pigtail
- Contact form: N.O, N.C or changeover
- Temperature range from -25 °C to +105 °C
- Switching voltage up to max. 250V
- IP67 protection class

Technical drawing

IMAGE 1/12

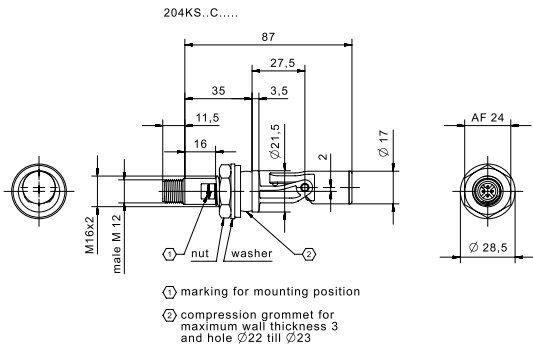


IMAGE 2/12

male M12

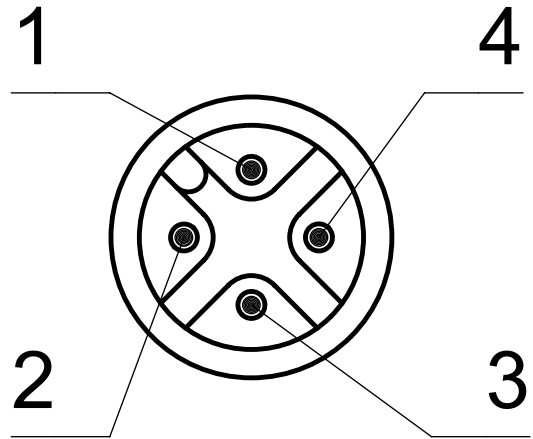


IMAGE 3/12

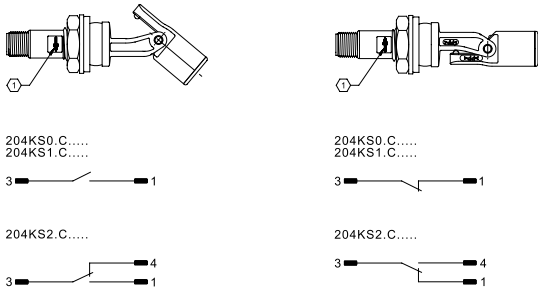


IMAGE 4/12

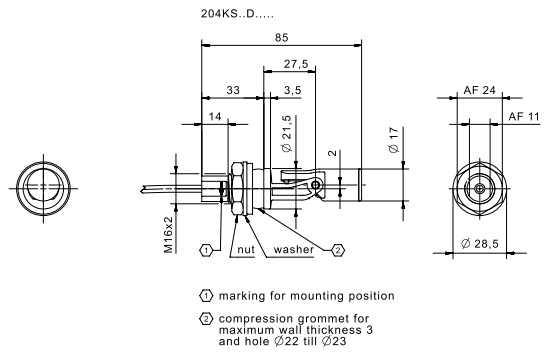


IMAGE 5/12

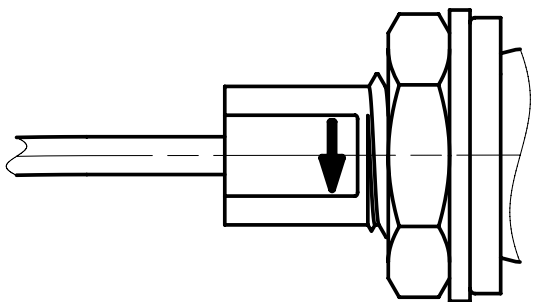


IMAGE 6/12

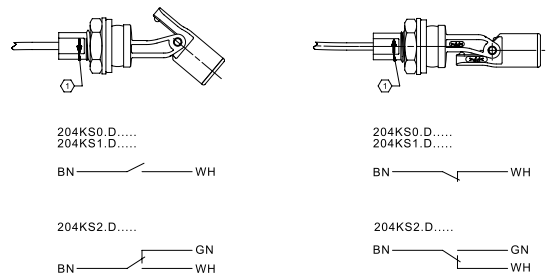


IMAGE 7/12

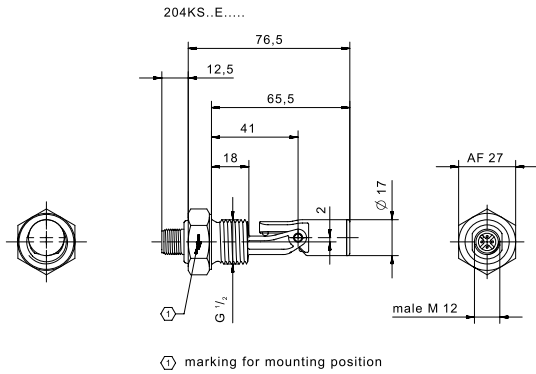


IMAGE 8/12

male M12

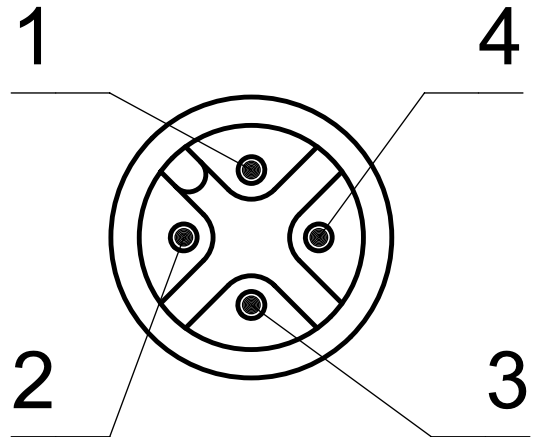


IMAGE 9/12

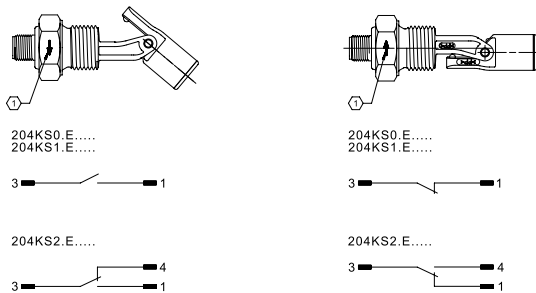


IMAGE 10/12

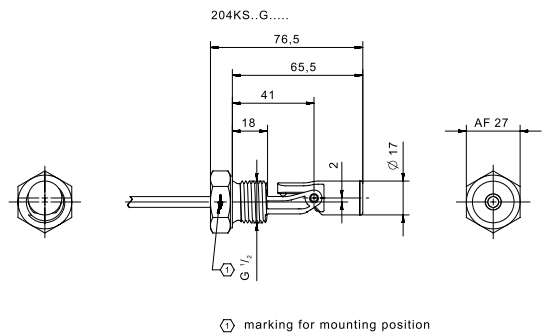


IMAGE 11/12

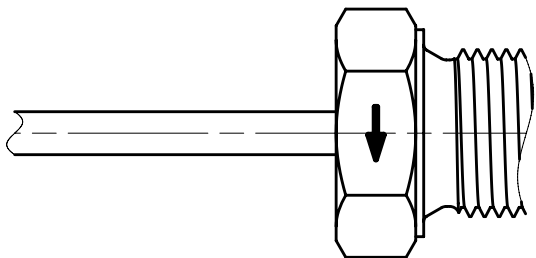
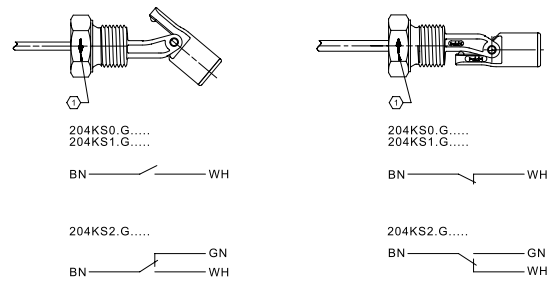


IMAGE 12/12



Electrical data

Attribute	204KS12CT00	204KS12DT1H	204KS12E000	204KS12G01H	204KS14CT00	204KS14DT1H ▶
Max. switching voltage	250 V DC					
Max. switching voltage	250 V AC					
Max. switching current	1 A					
Max. switching power	50 W					
Contact form	1A or 1B					
Output signal	digital					
Technology	Reed					

Electrical data

Attribute	204KS14E000	204KS14G01H	204KS22CT00	204KS22DT1H	204KS22E000	204KS22G01H ▶
Max. switching voltage	250 V DC		48 V DC			
Max. switching voltage	250 V AC		48 V AC			
Max. switching current	1 A		0.5 A			
Max. switching power	50 W		10 W			
Contact form	1A or 1B		1C			
Output signal	digital					
Technology	Reed					

Electrical data

Attribute	204KS24CT00	204KS24DT1H	204KS24E000	204KS24G01H
Max. switching voltage	48 V DC			
Max. switching voltage	48 V AC			
Max. switching current	0.5 A			
Max. switching power	10 W			
Contact form	1C			
Output signal	digital			
Technology	Reed			

Mechanical data

Attribute	204KS12CT00	204KS12DT1H	204KS12E000	204KS12G01H	204KS14CT00	204KS14DT1H ▶
Float diameter	17 mm					
Version	Mechanical hinge, small version					

Mechanical data

Attribute	204KS14E000	204KS14G01H	204KS22CT00	204KS22DT1H	204KS22E000	204KS22G01H ▶
Float diameter	17 mm					
Version	Mechanical hinge, small version					

Mechanical data

Attribute	204KS24CT00	204KS24DT1H	204KS24E000	204KS24G01H
Float diameter	17 mm			
Version	Mechanical hinge, small version			

Material information

Attribute	204KS12CT00	204KS12DT1H	204KS12E000	204KS12G01H	204KS14CT00	204KS14DT1H ▶
Housing material	PP			PA12		
Float material	PP			PA12		
Cable material	-	PVC	-	PVC	-	PVC

Material information

Attribute	204KS14E000	204KS14G01H	204KS22CT00	204KS22DT1H	204KS22E000	204KS22G01H ▶
Housing material	PA12		PP			
Float material	PA12		PP			
Cable material	-	PVC	-	PVC	-	PVC

Material information

Attribute	204KS24CT00	204KS24DT1H	204KS24E000	204KS24G01H
Housing material	PA12			
Float material	PA12			
Cable material	-	PVC	-	PVC

Environmental conditions

Attribute	204KS12CT00	204KS12DT1H	204KS12E000	204KS12G01H	204KS14CT00	204KS14DT1H ▶
Operating temperature min.	-25 °C					
Max. operating temperature	105 °C					
Pressure resistance	3 bar					
Protection class outside container	IP67 DIN EN 60529					
Protection class inside container	IP68 DIN EN 60529					

Environmental conditions

Attribute	204KS14E000	204KS14G01H	204KS22CT00	204KS22DT1H	204KS22E000	204KS22G01H ▶
Operating temperature min.	-25 °C					
Max. operating temperature	105 °C					
Pressure resistance	3 bar					
Protection class outside container	IP67 DIN EN 60529					
Protection class inside container	IP68 DIN EN 60529					

Environmental conditions

Attribute	204KS24CT00	204KS24DT1H	204KS24E000	204KS24G01H
Operating temperature min.	-25 °C			
Max. operating temperature	105 °C			
Pressure resistance	3 bar			
Protection class outside container	IP67 DIN EN 60529			
Protection class inside container	IP68 DIN EN 60529			

Installation

Attribute	204KS12CT00	204KS12DT1H	204KS12E000	204KS12G01H	204KS14CT00	204KS14DT1H ▶
Mounting type	Compression grommet		Thread		Compression grommet	
Thread	-		G 1/2		-	
Installation opening	D22-23		G1/2		D22-23	

Installation

Attribute	204KS14E000	204KS14G01H	204KS22CT00	204KS22DT1H	204KS22E000	204KS22G01H ▶
Mounting type	Thread		Compression grommet		Thread	
Thread	G 1/2		-		G 1/2	
Installation opening	G1/2		D22-23		G1/2	

Installation

Attribute	204KS24CT00	204KS24DT1H	204KS24E000	204KS24G01H
Mounting type	Compression grommet		Thread	
Thread	-		G 1/2	
Installation opening	D22-23		G1/2	

Connection

Attribute	204KS12CT00	204KS12DT1H	204KS12E000	204KS12G01H	204KS14CT00	204KS14DT1H ▶
Connector type	M12	-	M12	-	M12	-
Cable length	-	1 m	-	1 m	-	1 m

Connection

Attribute	204KS14E000	204KS14G01H	204KS22CT00	204KS22DT1H	204KS22E000	204KS22G01H ▶
Connector type	M12	-	M12	-	M12	-
Cable length	-	1 m	-	1 m	-	1 m

Connection

Attribute	204KS24CT00	204KS24DT1H	204KS24E000	204KS24G01H
Connector type	M12	-	M12	-
Cable length	-	1 m	-	1 m