



Connection cable M12 4-pin with coupling ring, plastic

Product characteristics

- Good resistance to chemicals and oil
- High protection class and high temperature range to meet the demands of adverse industrial environments
- Suitable for the elo USB IO-Link Master used for connecting IO-Link-capable sensors

Technical drawing

IMAGE 1/6

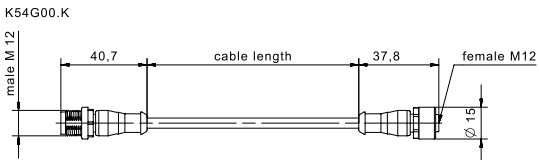
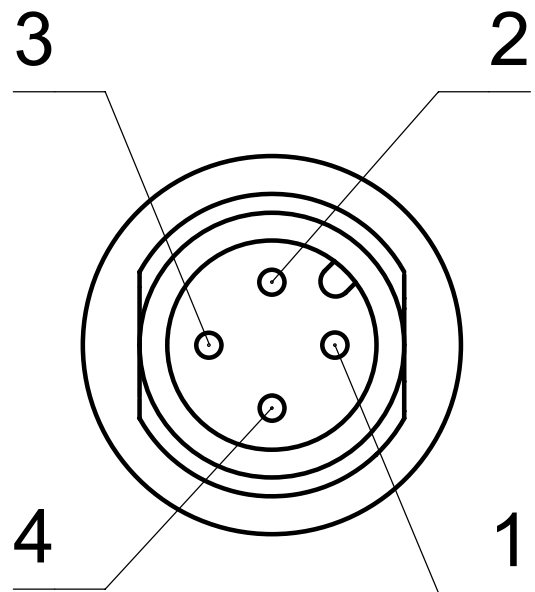


IMAGE 2/6

male M12



female M12

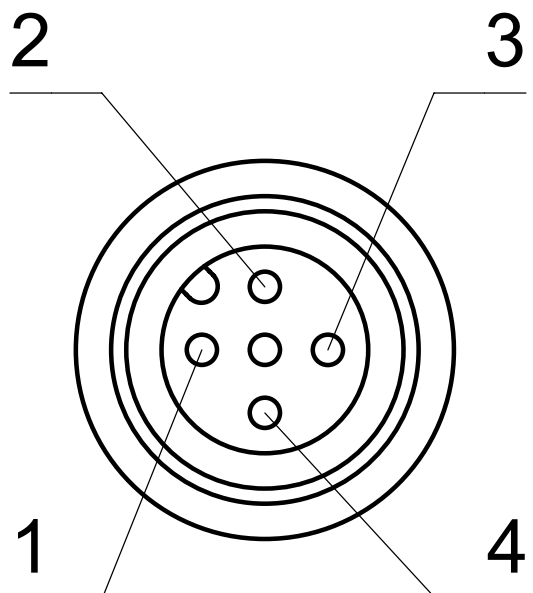


IMAGE 3/6

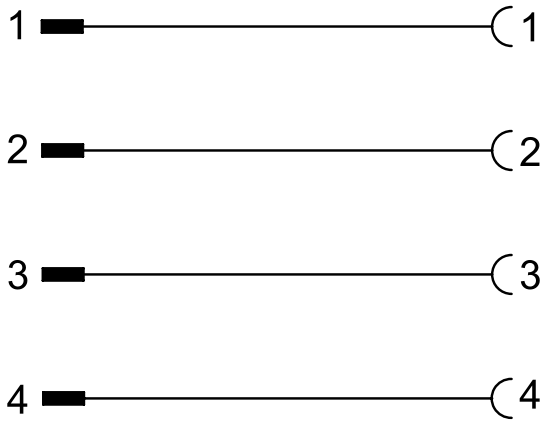


IMAGE 4/6

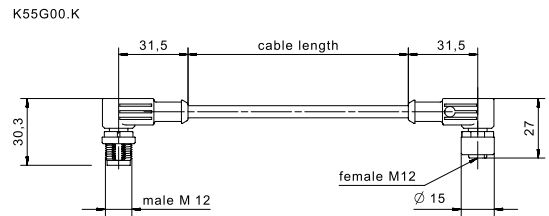
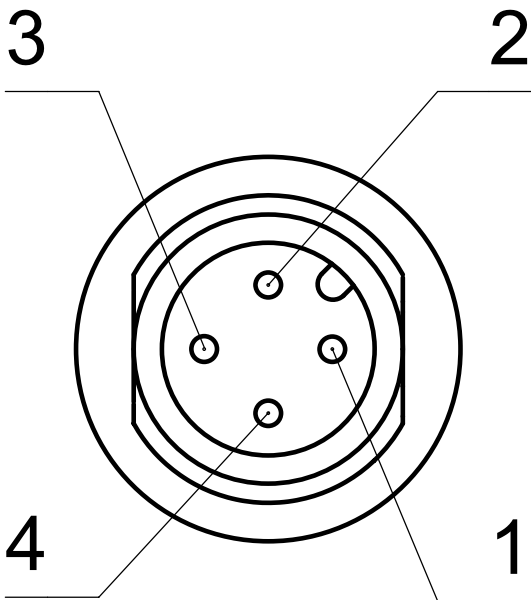


IMAGE 5/6

male M12



female M12

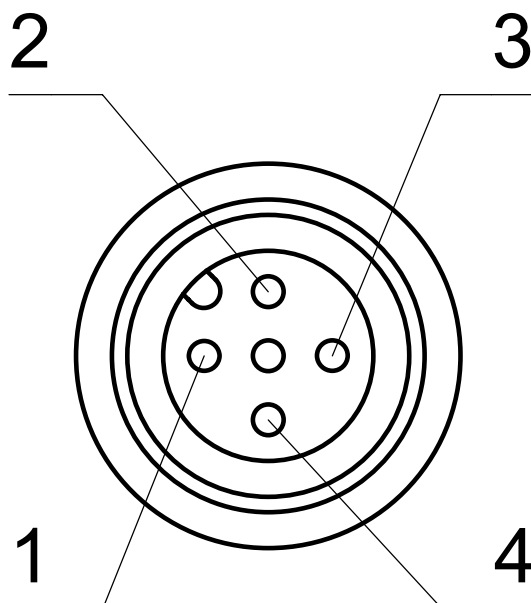
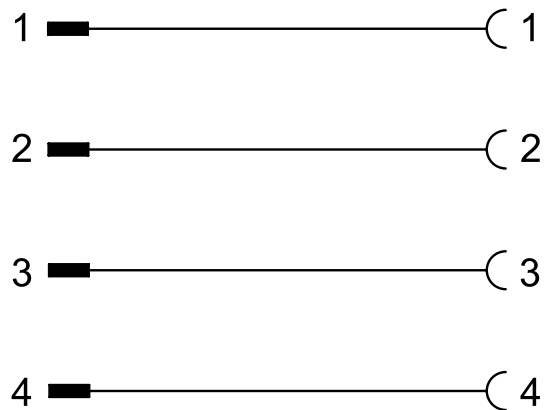


IMAGE 6/6



Electrical data

Attribute	K54G...K	K55G...K
Max. switching current per contact	4 A	
Rated impulse withstand voltage (Uimp)	2500 V	
Operating voltage max.	30 V DC	
Operating voltage max.	30 V AC	

Properties

Attribute	K54G...K	K55G...K
Cable colour	grau	

Material information

Attribute	K54G...K	K55G...K
Cable material	PVC	
Nut material	PA	
Overmould material	PUR	

Environmental conditions

Attribute	K54G...K	K55G...K
Min. storage temperature	-25 °C	-30 °C
Max. storage temperature	80 °C	
Min. cable temperature range, moving	-5 °C	
Max. cable temperature range, moving	80 °C	
Min. cable temperature range, fixed installation	-25 °C	-30 °C
Max. cable temperature range, fixed installation	80 °C	

Installation

Attribute	K54G...K	K55G...K
Torque for nuts	0,6 N m	

Connection

Attribute	K54G...K	K55G...K
Connector type	M12 Stecker / Buchse gerade	M12 Stecker / Buchse gewinkelt
Cable diameter	4,8 mm	
Number of pins	4	
Number of strands	4	
Wire cross section	0.25 mm ²	
Cable length	wählbar (1m, 3m, 5m, 10m)	

Approvals

Attribute	K54G...K	K55G...K
Certified in accordance with	UL/CSA ECOLAB	