



Circular connector M12 4-pin/5-pin, angled, with coupling ring, plastic

Product characteristics

- Good resistance to chemicals and oil
- ECOLAB approval
- High protection class and high temperature range to meet the demands of adverse industrial environments
- Suitable for all sensors and float switches with appropriate connection

Technical drawing

IMAGE 1/6

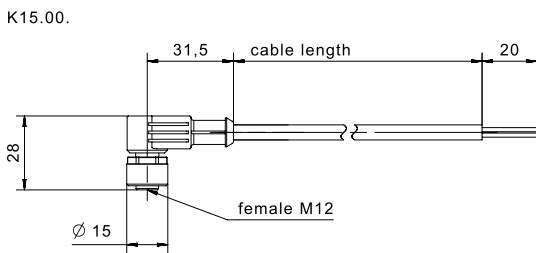


IMAGE 2/6

female M12

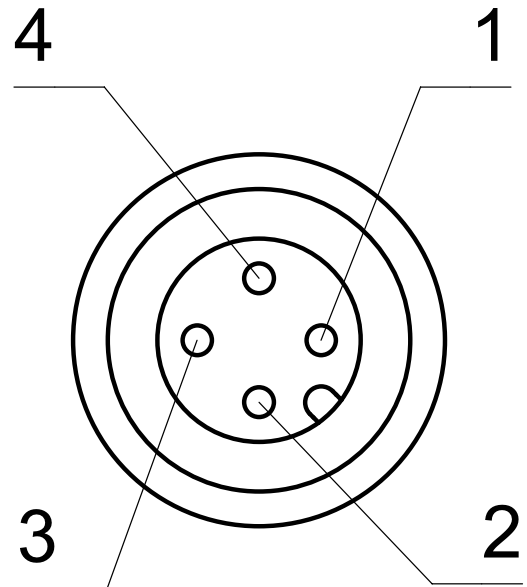


IMAGE 3/6

- 1) ————— BN
- 2) ————— WH
- 3) ————— BU
- 4) ————— BK

IMAGE 4/6

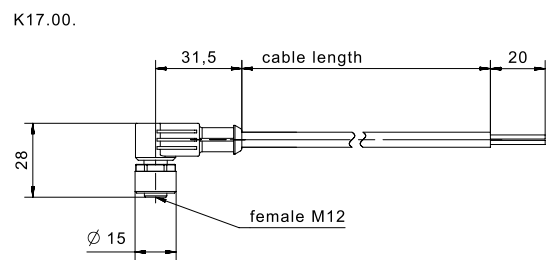


IMAGE 5/6

female M12

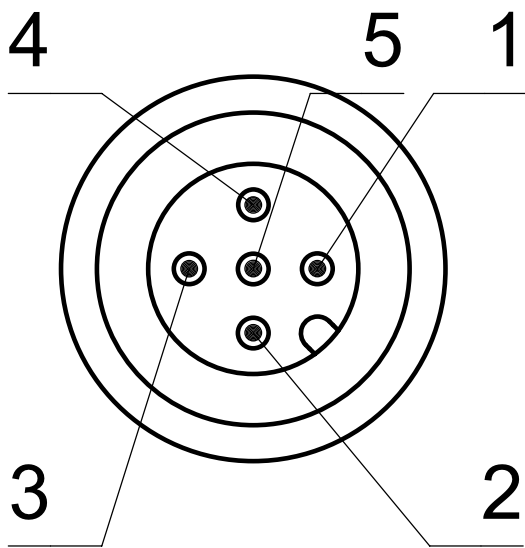


IMAGE 6/6

- 1) ————— BN
- 2) ————— WH
- 3) ————— BU
- 4) ————— BK
- 5) ————— GY

Electrical data

Attribute	K15G...K	K15H...K	K17G...K	K17H...K
Max. switching current per contact	4 A			
Rated impulse withstand voltage (Uimp)	2500 V		1500 V	
Operating voltage max.	250 V DC		125 V DC	
Operating voltage max.	250 V AC		125 V AC	

Properties

Attribute	K15G...K	K15H...K	K17G...K	K17H...K
Cable colour	schwarz			

Material information

Attribute	K15G...K	K15H...K	K17G...K	K17H...K
Cable material	PVC	PUR	PVC	PUR
Nut material	PA			
Overmould material	PVC	PUR	PVC	PUR

Environmental conditions

Attribute	K15G...K	K15H...K	K17G...K	K17H...K
Min. storage temperature	-30 °C	-40 °C	-30 °C	-40 °C
Max. storage temperature	80 °C			
Min. cable temperature range, moving	-5 °C	-25 °C	-5 °C	-25 °C
Max. cable temperature range, moving	80 °C			
Min. cable temperature range, fixed installation	-30 °C	-40 °C	-30 °C	-40 °C
Max. cable temperature range, fixed installation	80 °C			

Installation

Attribute	K15G...K	K15H...K	K17G...K	K17H...K
Torque for nuts	0,6 N m			

Connection

Attribute	K15G...K	K15H...K	K17G...K	K17H...K
Connector type	M12 Buchse gewinkelt			
Cable diameter	5 mm	4,7 mm	5,2 mm	5 mm
Number of pins	4		5	
Number of strands	4		5	
Wire cross section	0.34 mm ²			
Cable length	wählbar (1m, 3m, 5m, 10m)			

Approvals

Attribute	K15G...K	K15H...K	K17G...K	K17H...K
Certified in accordance with	UL/CSA ECOLAB			