



## Circular connector M12 4-pin/5-pin/8-pin with coupling ring, plastic

### Product characteristics

- Good resistance to chemicals and oil
- ECOLAB approval
- High protection class and high temperature range to meet the demands of adverse industrial environments
- Suitable for all sensors and float switches with appropriate connection

**Technical drawing**

IMAGE 1/9

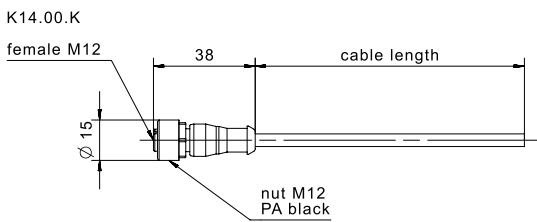


IMAGE 2/9

**female M12**

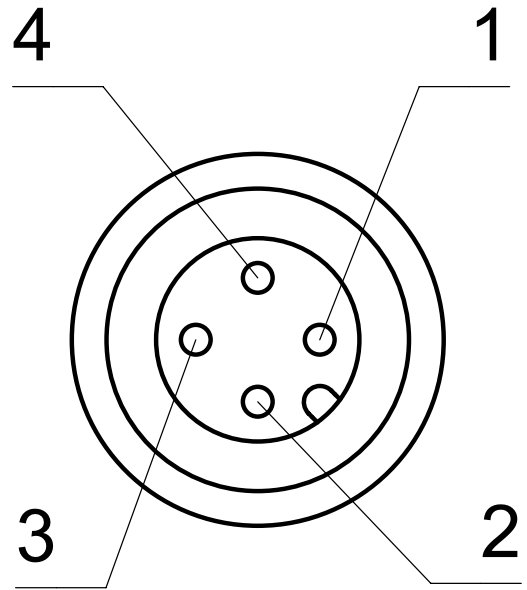


IMAGE 3/9

- 1 ) ————— BN
- 2 ) ————— WH
- 3 ) ————— BU
- 4 ) ————— BK

IMAGE 4/9

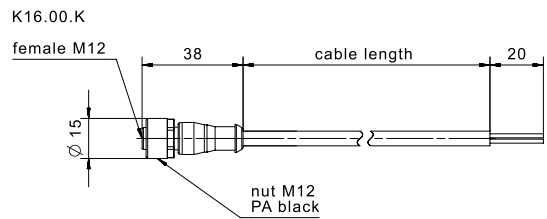


IMAGE 5/9

# female M12

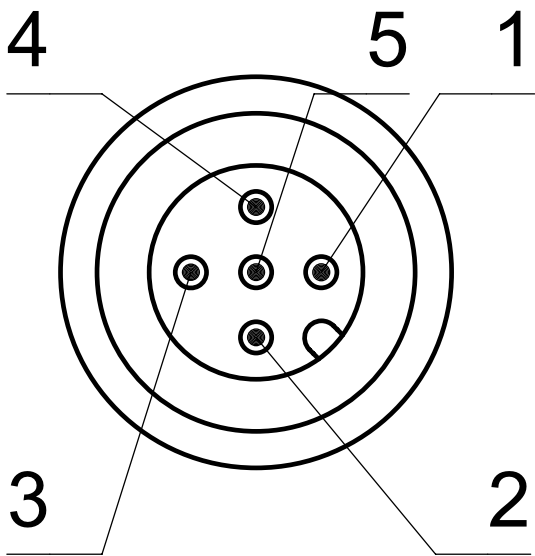


IMAGE 6/9

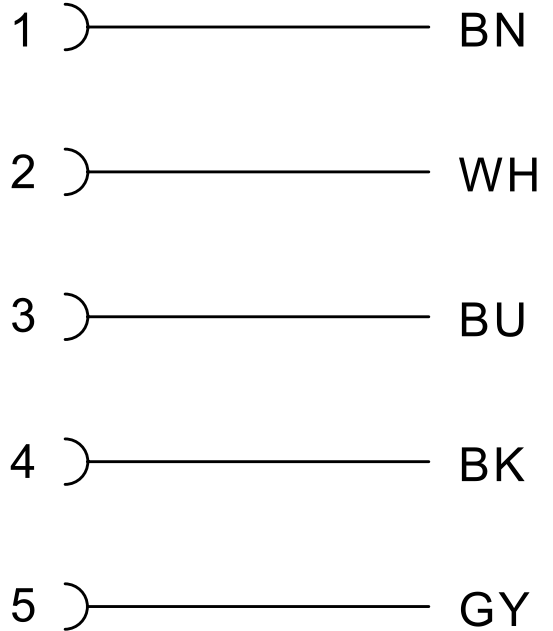


IMAGE 7/9

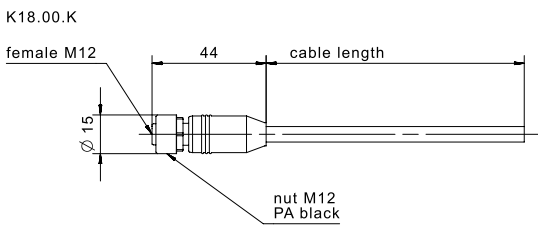


IMAGE 8/9

# female M12

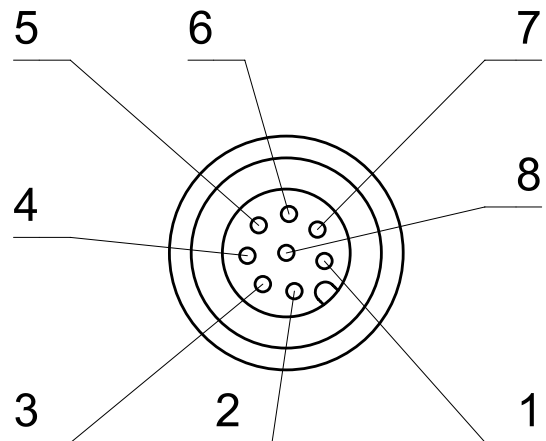


IMAGE 9/9

1 ) ————— BN

2 ) ————— WH

3 ) ————— BU

4 ) ————— BK

5 ) ————— GY

6 ) ————— PK

7 ) ————— VT

8 ) ————— OG

## Electrical data

Attribute	K14G...K	K16G...K	K16H...K	K18G...K
Max. switching current per contact	4 A			2 A
Rated impulse withstand voltage (Uimp)	2500 V	1500 V		800 V
Operating voltage max.	250 V DC	125 V DC		30 V DC
Operating voltage max.	250 V AC	125 V AC		30 V AC

## Properties

Attribute	K14G...K	K16G...K	K16H...K	K18G...K
Cable colour	grau	schwarz		grau

## Material information

Attribute	K14G...K	K16G...K	K16H...K	K18G...K
Cable material	PVC		PUR	PVC
Nut material	PA			
Overmould material	PUR	PVC	PUR	

## Environmental conditions

Attribute	K14G...K	K16G...K	K16H...K	K18G...K
Operating temperature min.	-30 °C		-40 °C	-30 °C
Max. operating temperature	80 °C			
Min. storage temperature	-30 °C		-40 °C	-30 °C
Max. storage temperature	80 °C			
Min. cable temperature range, moving	-5 °C		-25 °C	-5 °C
Max. cable temperature range, moving	80 °C			
Min. cable temperature range, fixed installation	-30 °C		-40 °C	-30 °C
Max. cable temperature range, fixed installation	80 °C			

## Installation

Attribute	K14G...K	K16G...K	K16H...K	K18G...K
Torque for nuts	0,6 N m			

## Connection

Attribute	K14G...K	K16G...K	K16H...K	K18G...K
Connector type	M12 Buchse gerade			
Cable diameter	4,7 mm	5,2 mm	5 mm	6 mm
Number of pins	4	5		8
Number of strands	4	5		8
Wire cross section	0.25 mm <sup>2</sup>	0.34 mm <sup>2</sup>		0.25 mm <sup>2</sup>
Cable length	wählbar (1m, 3m, 5m, 10m)			

## Approvals

Attribute	K14G...K	K16G...K	K16H...K	K18G...K
Certified in accordance with	UL/CSA ECOLAB			