

## Oxide magnet 301650 Ø50x25x15mm

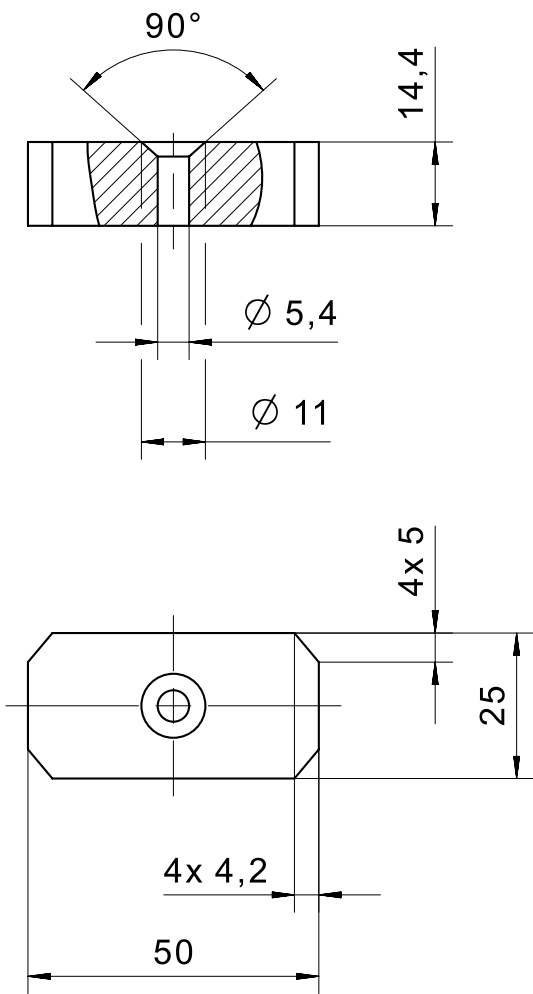
### Product characteristics

- For use with magnetic sensors
- Simple installation with just one screw
- Large temperature range

**Technical drawing**

IMAGE 1/1

301650



<b>Attribute</b>	<b>301650</b>
<b>Operating temperature min.</b>	-20 °C
<b>Max. operating temperature</b>	100 °C
<b>Dimensions</b>	25x50x15
<b>Material</b>	Hartferrit
<b>Mounting type</b>	Screw