



## **SEKO magnet 324102 Ø8x17mm**

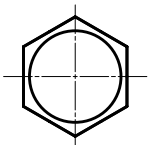
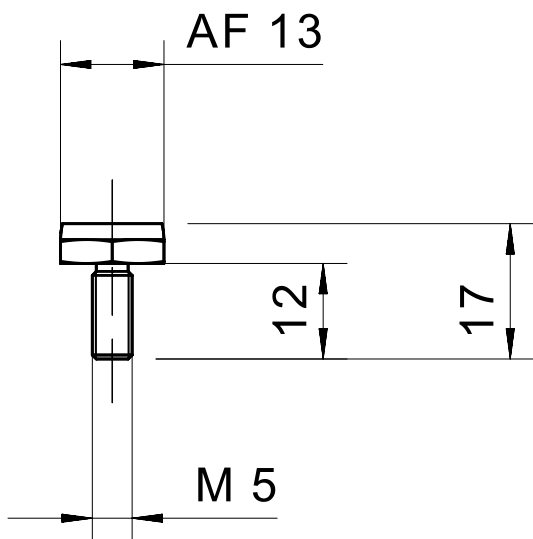
### **Product characteristics**

- For use with magnetic sensors
- Simple installation thanks to M6 thread
- Large temperature range

**Technical drawing**

IMAGE 1/1

**324100**



## Mechanical data

<b>Attribute</b>	<b>324102</b>
<b>Dimensions</b>	SW10 / H=5

## Material information

<b>Attribute</b>	<b>324102</b>
<b>Material</b>	Stahl verzinkt, SmCo

## Environmental conditions

<b>Attribute</b>	<b>324102</b>
<b>Operating temperature min.</b>	-20 °C
<b>Max. operating temperature</b>	80 °C

## Installation

<b>Attribute</b>	<b>324102</b>
<b>Mounting type</b>	Thread
<b>Thread</b>	M6x12