

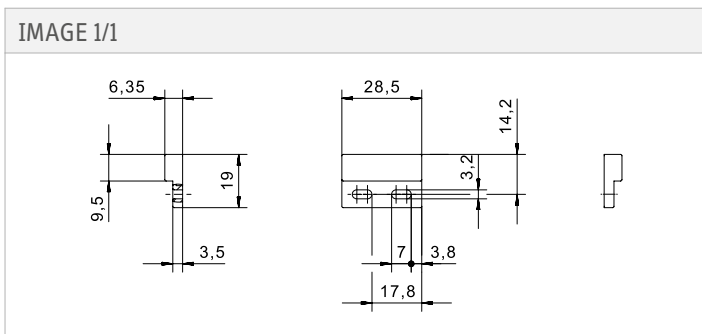


AlNiCo magnet 324SG001 28.5x19mm

Product characteristics

- Housing: PA
- 28.5 x 19 mm

Technical drawing



Mechanical data

Attribute	324SG001	324SG001S
Dimensions	19x28,5x6,3	

Material information

Attribute	324SG001	324SG001S
Material	PA, AlNiCo	

Environmental conditions

Attribute	324SG001	324SG001S
Operating temperature min.	-20 °C	
Max. operating temperature	100 °C	75 °C

Installation

Attribute	324SG001	324SG001S
Mounting type	Screw	