

Oxide magnet 3015.0 23x17.5x16mm

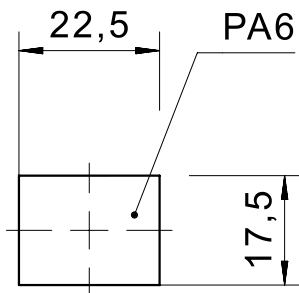
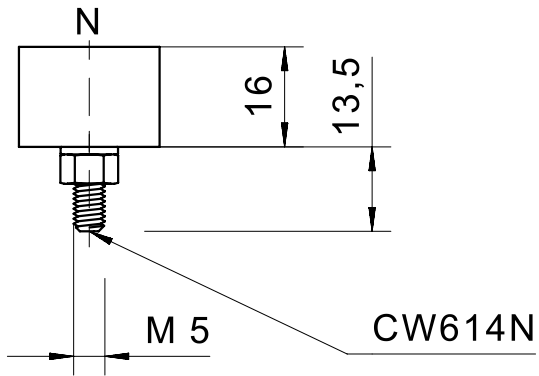
Product characteristics

- For use with magnetic sensors
- Simple installation thanks to M5 screw thread
- Large temperature range

Technical drawing

IMAGE 1/1

301510



Mechanical data

Attribute	301510	301520
Dimensions	17,5x22,5x16	

Material information

Attribute	301510	301520
Material	PA, Hartferrit	

Environmental conditions

Attribute	301510	301520
Operating temperature min.	-20 °C	
Max. operating temperature	100 °C	

Installation

Attribute	301510	301520
Mounting type	Thread	
Thread	M5x13,5	