



Oxide magnet 300770 Ø22.5x11mm

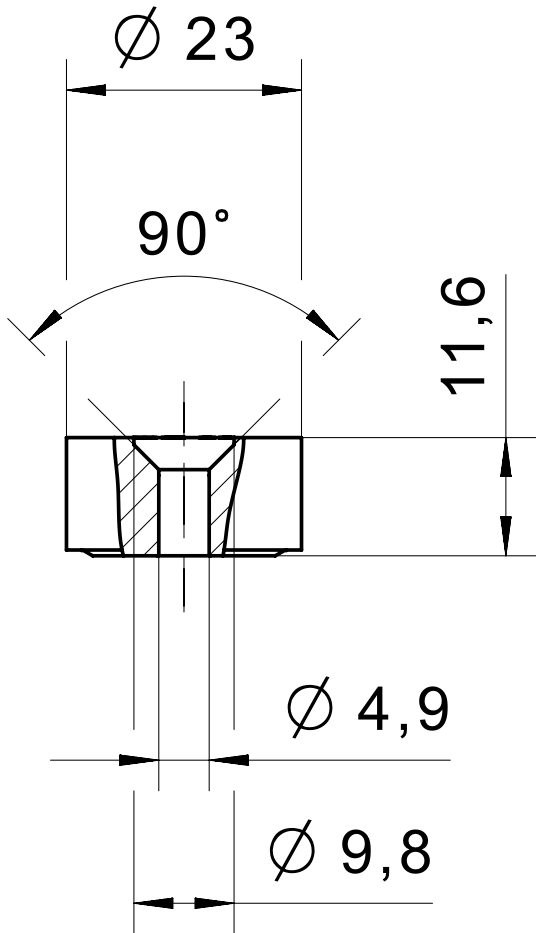
Product characteristics

- For use with magnetic sensors
- Simple installation with just one screw
- Large temperature range

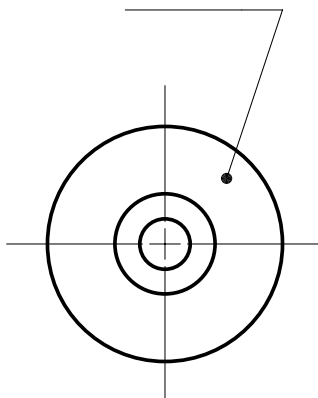
Technical drawing

IMAGE 1/1

300770
300775



Pa6



Mechanical data

Attribute	300770
Dimensions	Ø 25 / H=11,5

Material information

Attribute	300770
Material	PA, Hartferrit

Environmental conditions

Attribute	300770
Operating temperature min.	-20 °C
Max. operating temperature	100 °C

Installation

Attribute	300770
Mounting type	Screw