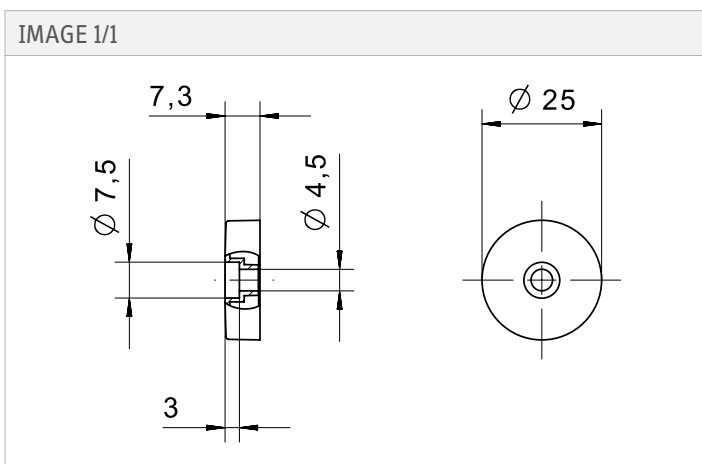


Plastic magnet 324790 Ø25x7mm

Product characteristics

- For use with magnetic sensors
- Simple installation with just one screw
- Large temperature range

Technical drawing



Mechanical data

Attribute	324790
Dimensions	Ø 25 / H=7

Material information

Attribute	324790
Material	PA, Kunststoff

Environmental conditions

Attribute	324790
Operating temperature min.	-20 °C
Max. operating temperature	100 °C

Installation

Attribute	324790
Mounting type	Screw