



Adapter 350AGA2K

Product characteristics

- For simple connection of M12 connectors to M8 connectors

Technical drawing

IMAGE 1/3

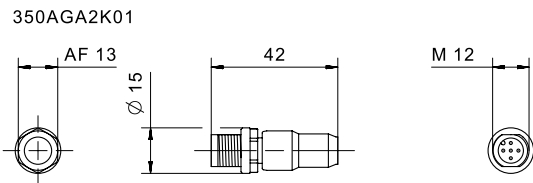
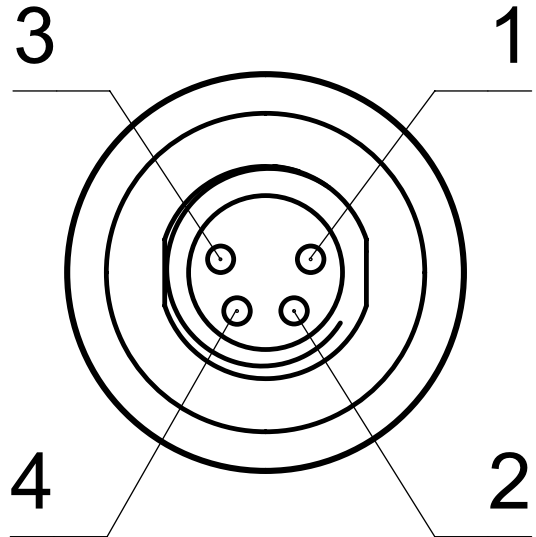


IMAGE 2/3

male M8



female M12

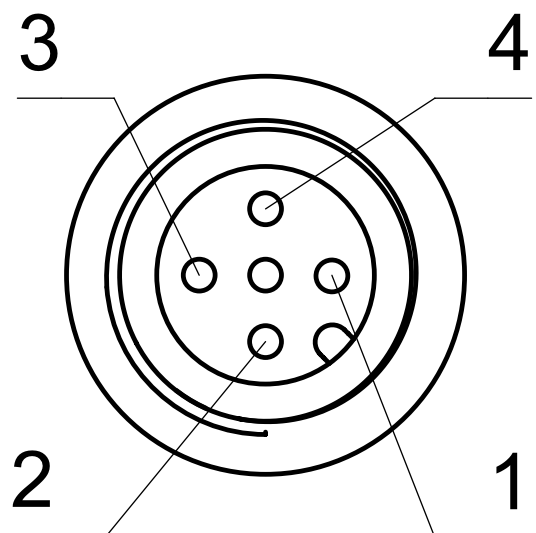
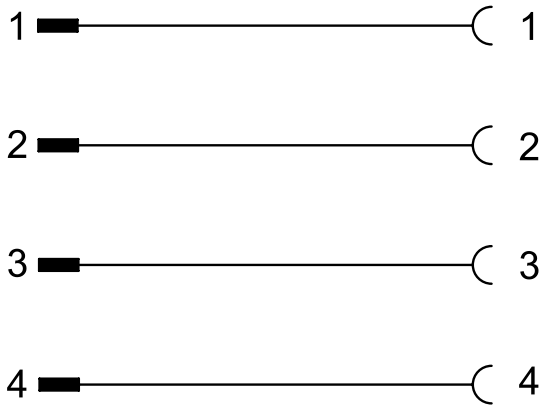


IMAGE 3/3



Electrical data

Attribute	350AGA2K
Max. switching current per contact	4 A
Rated impulse withstand voltage (Uimp)	800 V
Pollution degree	3
Operating voltage max.	24 V DC
Operating voltage max.	24 V AC

Material information

Attribute	350AGA2K
Nut material	PA
Overmould material	PA

Environmental conditions

Attribute	350AGA2K
Protection class, connector	IP67 DIN EN 60529
Operating temperature min.	-25 °C
Max. operating temperature	85 °C
Min. storage temperature	-25 °C
Max. storage temperature	85 °C

Installation

Attribute	350AGA2K
Torque for nuts	0,6 (M12), 0,4 (M8) N m
Weight	15 g

Connection

Attribute	350AGA2K
Connector type	M12 Buchse gerade / M8 Stecker gerade
Connection type	geschraubt / gesteckt
Number of pins	4