



## Connection cable K5.G

### Product characteristics

- Preassembled connection cable sets
- Straight and angled versions available
- • M12 connector and socket, compatible with all sensors and T-connectors with 4-pin/8-pin circular connector and M12 thread
- High protection class
- Various cable lengths available

## Technical drawing

IMAGE 1/9

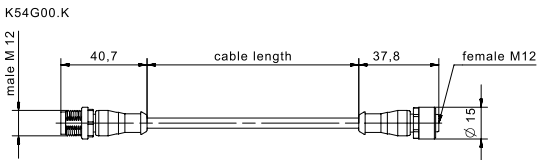
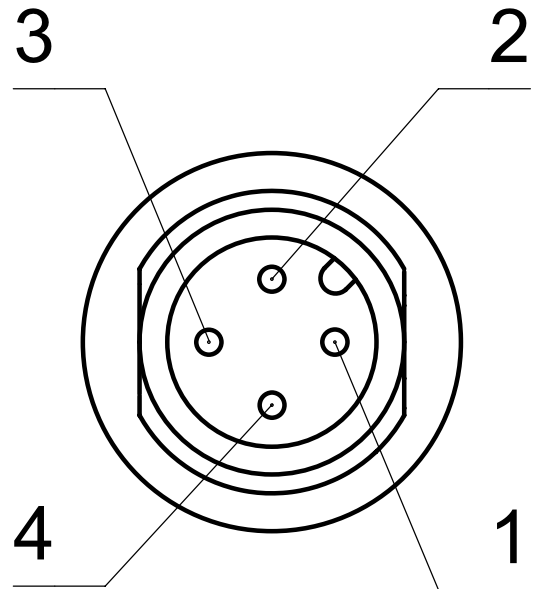


IMAGE 2/9

## male M12



## female M12

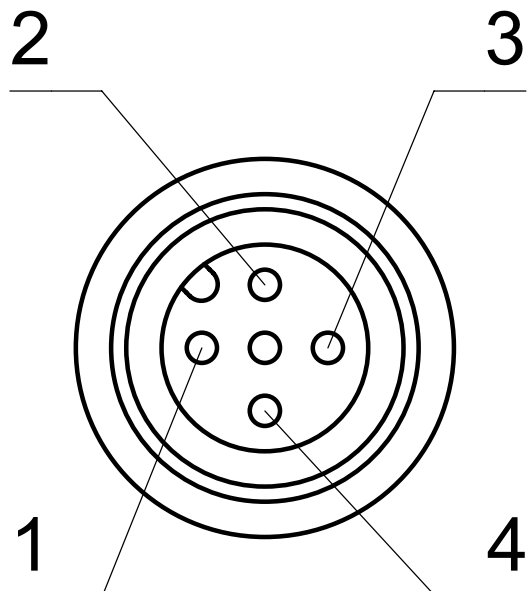


IMAGE 3/9

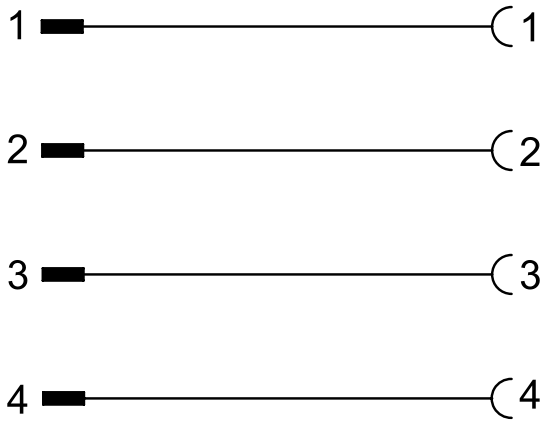


IMAGE 4/9

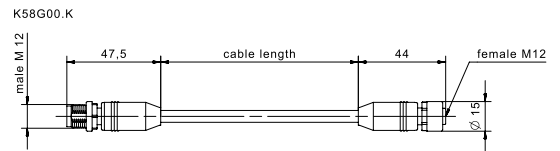
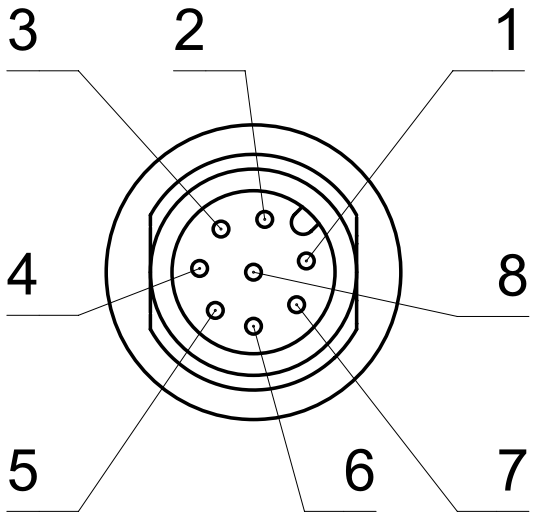


IMAGE 5/9

### male M12



### female M12

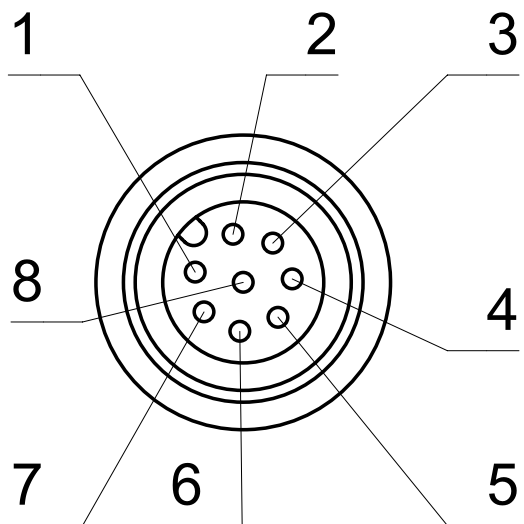


IMAGE 6/9

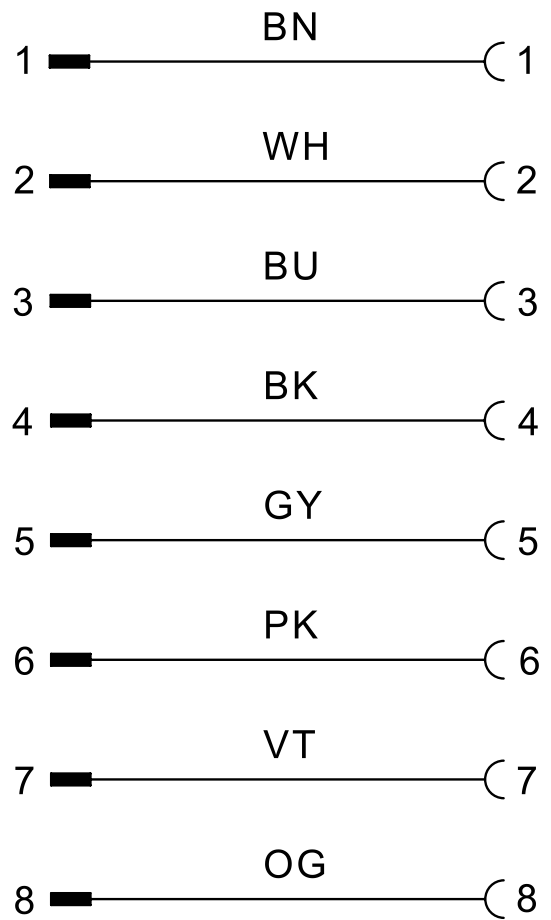




IMAGE 7/9

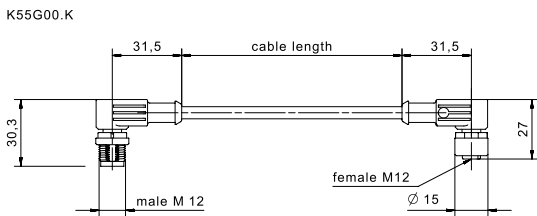
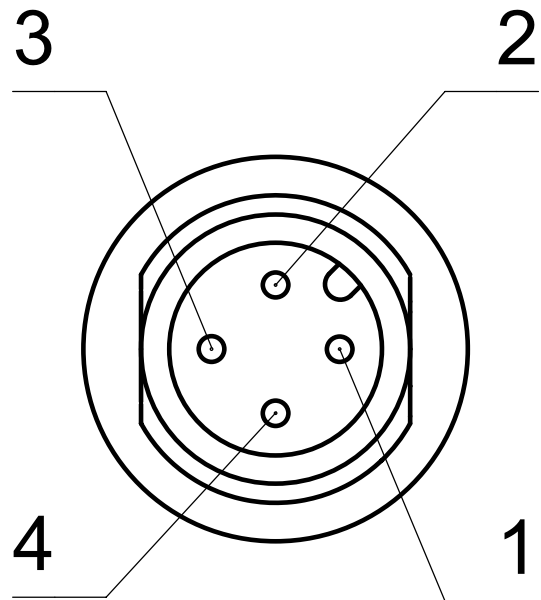


IMAGE 8/9

## male M12



## female M12

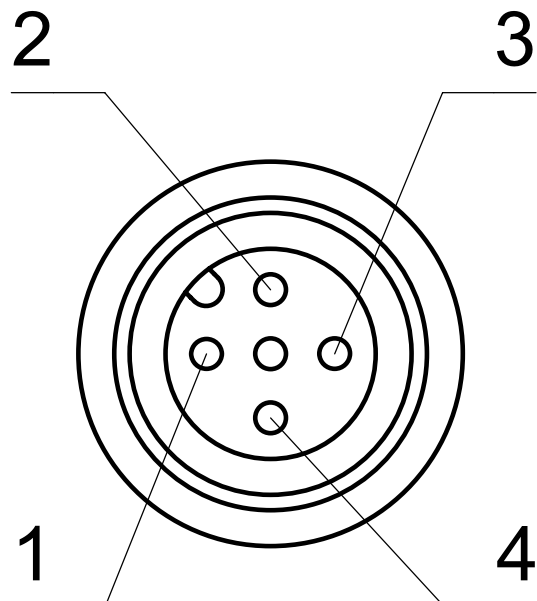


IMAGE 9/9

1 ■■■————— ( 1

2 ■■■————— ( 2

3 ■■■————— ( 3

4 ■■■————— ( 4



Attribute	K54G...K	K55G...K	K58G000K	K58G001K	K58G003K	K58G005K
Min. storage temperature	-25 °C	-30 °C	-25 °C			
Max. storage temperature	80 °C					
Cable type	-		LIYY			
Weight	-		551 g	74 g	180 g	286 g

## Electrical data

Attribute	K54G...K	K55G...K	K58G000K	K58G001K	K58G003K	K58G005K
Max. switching current per contact	4 A		2 A			
Rated impulse withstand voltage (Uimp)	2500 V		800 V			
Pollution degree	-		3			
Operating voltage max.	30 V DC					
Operating voltage max.	30 V AC					

## Material information

Attribute	K54G...K	K55G...K	K58G000K	K58G001K	K58G003K	K58G005K
Nut material	PA					
Overmould material	PUR					
Cable material	PVC					

## Environmental conditions

Attribute	K54G...K	K55G...K	K58G000K	K58G001K	K58G003K	K58G005K
Protection class, connector	-		IP67 DIN EN 60529			
Min. cable temperature range, moving	-5 °C					
Max. cable temperature range, moving	80 °C					
Min. cable temperature range, fixed installation	-25 °C	-30 °C	-25 °C			
Max. cable temperature range, fixed installation	80 °C					

## Installation

Attribute	K54G...K	K55G...K	K58G000K	K58G001K	K58G003K	K58G005K
Torque for nuts	0,6 N m					

## Connection

Attribute	K54G...K	K55G...K	K58G000K	K58G001K	K58G003K	K58G005K
Connector type	M12 Stecker / Buchse gerade	M12 Stecker / Buchse gewinkelt	M12 Stecker / Buchse gerade			
Cable colour	grau					
Cable length	10 m			1 m	3 m	5 m
Cable diameter	4,8 mm		6 mm			
Number of pins	4		8			
Number of strands	4		8			
Wire cross section	0.25 mm <sup>2</sup>					

## Approvals

Attribute	K54G...K	K55G...K	K58G000K	K58G001K	K58G003K	K58G005K
Certified in accordance with	UL/CSA ECOLAB					