



## Round Connector K1..00

### Product characteristics

- Preassembled cable sets with open end
- M12 connector compatible with all sensors and T-connectors with 4-pin/8-pin circular connector and M12 thread
- High protection class
- Various cable lengths available

**Technical drawing**

IMAGE 1/6

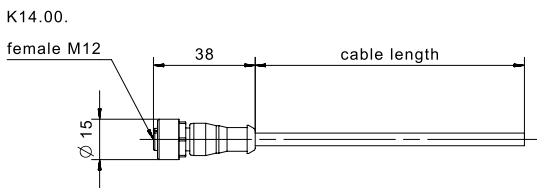


IMAGE 2/6

**female M12**

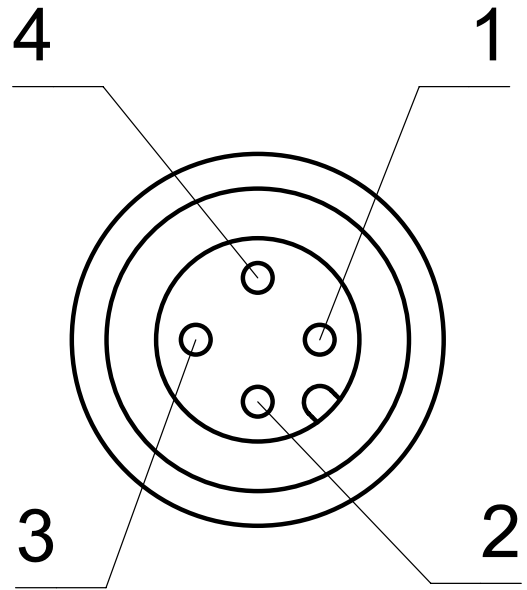


IMAGE 3/6

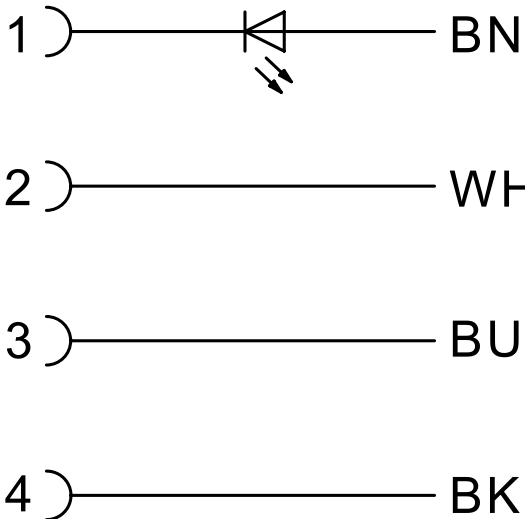


IMAGE 4/6

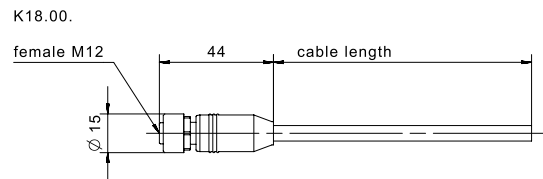


IMAGE 5/6

female M12

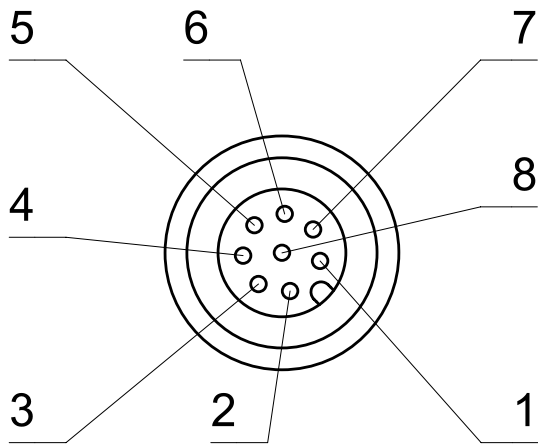


IMAGE 6/6

- 1 ) \_\_\_\_\_ BN
- 2 ) \_\_\_\_\_ WH
- 3 ) \_\_\_\_\_ BU
- 4 ) \_\_\_\_\_ BK
- 5 ) \_\_\_\_\_ GY
- 6 ) \_\_\_\_\_ PK
- 7 ) \_\_\_\_\_ VT
- 8 ) \_\_\_\_\_ OG

## Electrical data

| Attribute                              | K14G...  | K14G...K | K14H... | K15G...K | K15H...K | K16G...K ▶ |
|--|----------|----------|---------|----------|----------|------------|
| Max. switching current per contact     | 4 A      |          |         |          |          |            |
| Rated impulse withstand voltage (Uimp) | 2500 V   |          |         |          | 1500 V   |            |
| Operating voltage max.                 | 250 V DC |          |         |          | 125 V DC |            |
| Operating voltage max.                 | 250 V AC |          |         |          | 125 V AC |            |

## Electrical data

| Attribute                              | K16H...K | K17G...K | K17H...K | K18G...K |
|--|----------|----------|----------|----------|
| Max. switching current per contact     | 4 A      |          |          | 2 A      |
| Rated impulse withstand voltage (Uimp) | 1500 V   |          |          | 800 V    |
| Operating voltage max.                 | 125 V DC |          |          | 30 V DC  |
| Operating voltage max.                 | 125 V AC |          |          | 30 V AC  |

## Material information

| Attribute          | K14G...                     | K14G...K | K14H...                     | K15G...K | K15H...K | K16G...K ▶ |
|--------------------|-----------------------------|----------|-----------------------------|----------|----------|------------|
| Nut material       | Zinkdruckguss<br>vernickelt | PA       | Zinkdruckguss<br>vernickelt | PA       |          |            |
| Overmould material | PUR                         |          |                             | PVC      | PUR      | PVC        |
| Cable material     | PVC                         |          | PUR                         | PVC      | PUR      | PVC        |

## Material information

| Attribute          | K16H...K | K17G...K | K17H...K | K18G...K |
|--------------------|----------|----------|----------|----------|
| Nut material       | PA       |          |          |          |
| Overmould material | PUR      | PVC      | PUR      |          |
| Cable material     | PUR      | PVC      | PUR      | PVC      |

## Environmental conditions

| Attribute  | K14G... | K14G...K | K14H... | K15G...K | K15H...K | K16G...K ▶ |
|--|---------|----------|---------|----------|----------|------------|
| Min. cable temperature range, moving             | -5 °C   |          | -25 °C  | -5 °C    | -25 °C   | -5 °C      |
| Max. cable temperature range, moving             | 70 °C   | 80 °C    |         |          |          |            |
| Min. cable temperature range, fixed installation | -25 °C  | -30 °C   | -25 °C  | -30 °C   | -40 °C   | -30 °C     |
| Max. cable temperature range, fixed installation | 70 °C   | 80 °C    |         |          |          |            |
| Min. storage temperature                         | -25 °C  | -30 °C   | -25 °C  | -30 °C   | -40 °C   | -30 °C     |
| Max. storage temperature                         | 70 °C   | 80 °C    |         |          |          |            |

## Environmental conditions

| Attribute  | K16H...K | K17G...K | K17H...K | K18G...K |
|--|----------|----------|----------|----------|
| Min. cable temperature range, moving             | -25 °C   | -5 °C    | -25 °C   | -5 °C    |
| Max. cable temperature range, moving             | 80 °C    |          |          |          |
| Min. cable temperature range, fixed installation | -40 °C   | -30 °C   | -40 °C   | -30 °C   |
| Max. cable temperature range, fixed installation | 80 °C    |          |          |          |
| Min. storage temperature                         | -40 °C   | -30 °C   | -40 °C   | -30 °C   |
| Max. storage temperature                         | 80 °C    |          |          |          |

## Installation

| Attribute       | K14G... | K14G...K | K14H... | K15G...K | K15H...K | K16G...K ▶ |
|-----------------|---------|----------|---------|----------|----------|------------|
| Torque for nuts | 0,6 N m |          |         |          |          |            |

## Installation

| Attribute       | K16H...K | K17G...K | K17H...K | K18G...K |
|-----------------|----------|----------|----------|----------|
| Torque for nuts | 0,6 N m  |          |          |          |

## Connection

| Attribute          | K14G...              | K14G...K             | K14H...              | K15G...K             | K15H...K | K16G...K ▶        |
|--------------------|----------------------|----------------------|----------------------|----------------------|----------|-------------------|
| Connector type     | M12 Buchse gerade    |                      |                      | M12 Buchse gewinkelt |          | M12 Buchse gerade |
| Cable colour       | schwarz              | grau                 | schwarz              |                      |          |                   |
| Cable length       | 10 m                 |                      |                      |                      |          |                   |
| Cable diameter     | 5 mm                 | 4,7 mm               |                      | 5 mm                 | 4,7 mm   | 5,2 mm            |
| Number of pins     | 4                    |                      |                      |                      |          | 5                 |
| Number of strands  | 4                    |                      |                      |                      |          | 5                 |
| Wire cross section | 0.34 mm <sup>2</sup> | 0.25 mm <sup>2</sup> | 0.34 mm <sup>2</sup> |                      |          |                   |
| Cable type         | LIYY                 |                      |                      | -                    |          |                   |

## Connection

| Attribute          | K16H...K             | K17G...K             | K17H...K | K18G...K             |
|--------------------|----------------------|----------------------|----------|----------------------|
| Connector type     | M12 Buchse gerade    | M12 Buchse gewinkelt |          | M12 Buchse gerade    |
| Cable colour       | schwarz              |                      |          | grau                 |
| Cable length       | 10 m                 |                      |          |                      |
| Cable diameter     | 5 mm                 | 5,2 mm               | 5 mm     | 6 mm                 |
| Number of pins     | 5                    |                      |          | 8                    |
| Number of strands  | 5                    |                      |          | 8                    |
| Wire cross section | 0.34 mm <sup>2</sup> |                      |          | 0.25 mm <sup>2</sup> |
| Cable type         | -                    |                      |          |                      |

## Approvals

| Attribute                    | K14G... | K14G...K      | K14H... | K15G...K      | K15H...K | K16G...K ▶ |
|------------------------------|---------|---------------|---------|---------------|----------|------------|
| Certified in accordance with | UL/CSA  | UL/CSA ECOLAB | UL/CSA  | UL/CSA ECOLAB |          |            |

## Approvals

| Attribute                    | K16H...K      | K17G...K | K17H...K | K18G...K |
|------------------------------|---------------|----------|----------|----------|
| Certified in accordance with | UL/CSA ECOLAB |          |          |          |