

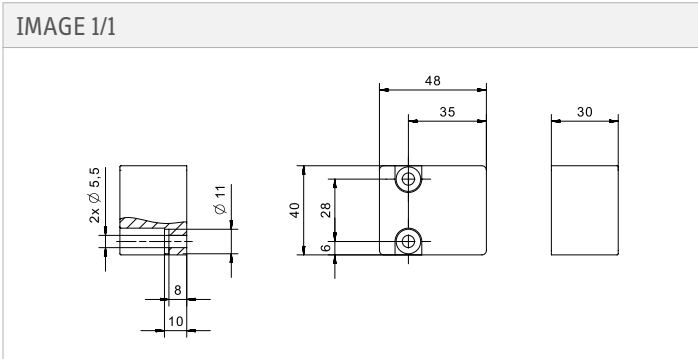
Actuator 30422112

The 30422112 actuator is for use with the 161 safety sensors.

Product characteristics

- Robust plastic housing

Technical drawing



Properties

Attribute	30422112	30422112S
Coding acc. to EN ISO 14119	Low	
Suitable for sensor type(s)	161	

Mechanical data

Attribute	30422112	30422112S
Dimensions	48x40x30	

Material information

Attribute	30422112	30422112S
Housing material	PBT	
Housing colour	schwarz	

Installation

Attribute	30422112	30422112S
Mounting type	screwed	