

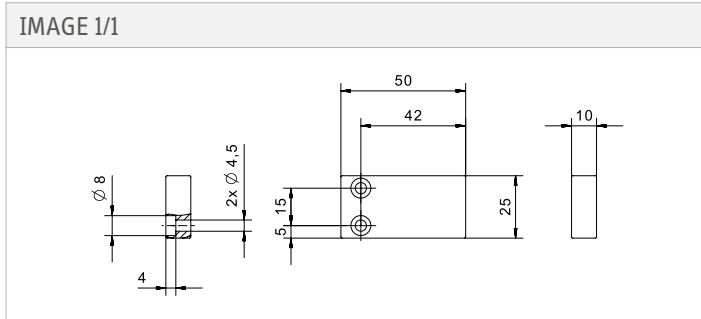
## Actuator 304275.2

The 304275.2 actuator is for use with the 114 safety sensors. The actuator can be fastened in guard door profiles thanks to the flat housing.

### Product characteristics

- Compact, space-saving design

### Technical drawing



## Properties

Attribute	30427502	30427532
Coding acc. to EN ISO 14119	Low	
Suitable for sensor type(s)	114	

## Mechanical data

Attribute	30427502	30427532
Dimensions	50x25x10	

## Material information

Attribute	30427502	30427532
Housing material	PBT	
Housing colour	schwarz	

## Installation

Attribute	30427502	30427532
Mounting type	screwed	