

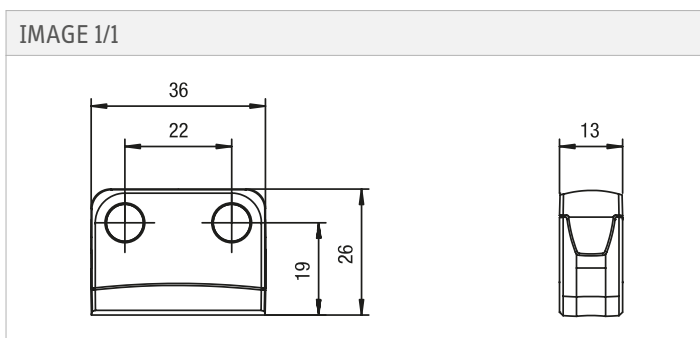
## Actuator 153MBK

When used with the corresponding safety sensor, the magnetic actuator of the new eloProtect M range enables optimised operating distances and offset values as well as increased tampering protection.

### Technical specifications

- Flexibility in installation and use from variable actuation direction
- Space saving and simple installation through small size
- Screw covers prevent easy removal and the accumulation of dirt
- Strong resistance against cleaning agents (ECOLAB) makes this suitable for use in the food and packaging industries.

### Technical drawing



## Properties

Attribute	153MBK001	153MBK101	153MBK201	153MBK301
Coding acc. to EN ISO 14119	Low			
Suitable for sensor type(s)	153MSK			

## Mechanical data

Attribute	153MBK001	153MBK101	153MBK201	153MBK301
Dimensions	36x26x13			

## Material information

Attribute	153MBK001	153MBK101	153MBK201	153MBK301
Housing material	PBT	PBT/PC		
Housing colour	grau/schwarz			

## Installation

Attribute	153MBK001	153MBK101	153MBK201	153MBK301
Mounting type	screwed			
Torque for fastening screws	0.7 N m			