

Actuator 153EBK001

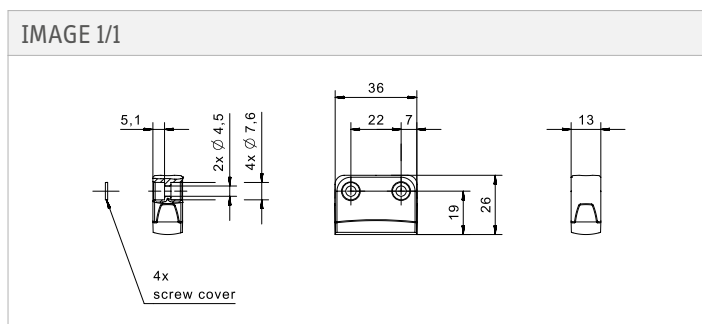
Actuator for safety sensors of eloProtectE series 153ESK.... The actuator is suitable for the easily coded and individually programmable safety sensors. No additional actuator required for one-off coding – this is included with sensor.

With safety sensor 153 ESK 00. 3. the actuator is programmed on the sensor. After this process has been completed, the sensor detects only the programmed actuator.

Technical specifications

- Flexibility in installation and use from variable actuation direction
- Space saving and simple installation through small size
- Hole dimensions compatible with actuators for magnetically actuated safety sensors
- Screw covers prevent easy removal and the accumulation of dirt
- Strong resistance against cleaning agents (ECOLAB) makes this suitable for use in the food and packaging industries.

Technical drawing



Attribute	153EBK001
Weight	14 g

Properties

Attribute	153EBK001
Coding acc. to EN ISO 14119	High
Suitable for sensor type(s)	153ESK00.1. / 153ESK00.3.

Mechanical data

Attribute	153EBK001
Dimensions	36x26x13

Material information

Attribute	153EBK001
Housing material	PBT/PC
Housing colour	grau/schwarz

Installation

Attribute	153EBK001
Mounting type	screwed
Torque for fastening screws	0.7 N m