



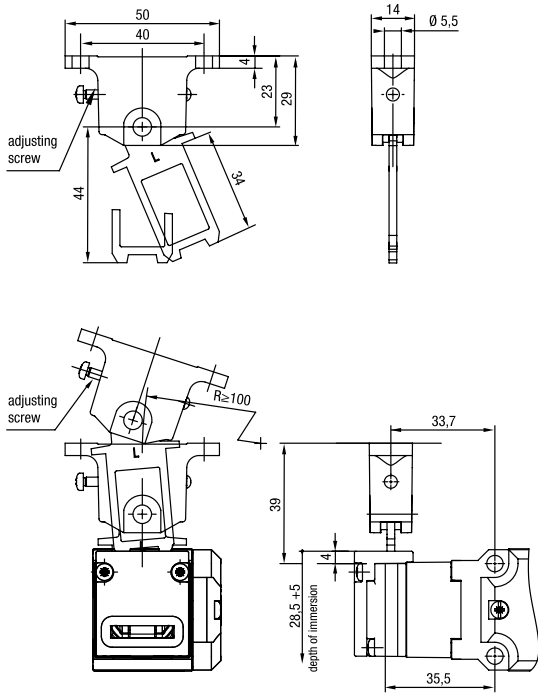
## Actuator for safety interlocks ZBL5ME

### Technical specifications

- Overrun 5 mm
- Radius 200, 1000
- Material: stainless steel 1.4301, die-cast aluminium

Technical drawing

IMAGE 1/1



Attribute	ZBL5ME
Installation	arbitrary

### Mechanical data

Attribute	ZBL5ME
Dimensions	50 x 67 x 14 mm (H/B/T)
Door radius min.	100 mm
Overrun max.	5 mm
Usability of insertion funnel	yes

### Material information

Attribute	ZBL5ME
Housing material	Betaetiger/Schraube Stahl rostfrei

### Installation

Attribute	ZBL5ME
Mounting type	screwed