



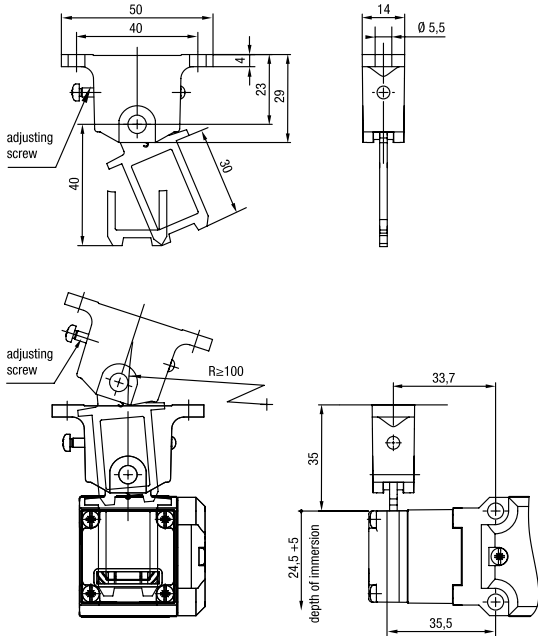
Actuator for safety interlocks ZBL5M

Technical specifications

- Overrun 5 mm
- Radius 100, 1000
- Material: stainless steel 1.4301, CR

Technical drawing

IMAGE 1/1



Mechanical data

Attribute	ZBL5M
Dimensions	50 x 63 x 14 mm (H/B/T)
Door radius min.	100 mm
Overrun max.	5 mm
Usability of insertion funnel	no

Material information

Attribute	ZBL5M
Housing material	Betaetiger/Schraube Stahl rostfrei

Installation

Attribute	ZBL5M
Mounting type	screwed
Installation	arbitrary