

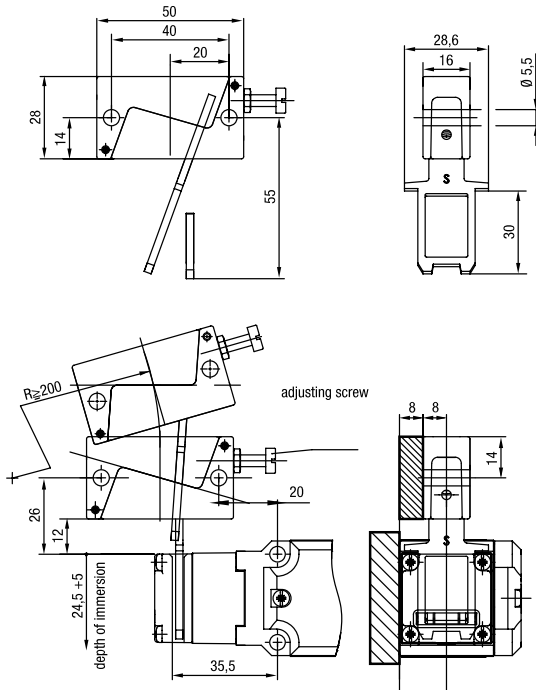
## Actuator for safety interlocks ZBU5M

### Technical specifications

- Overrun 5 mm
- Radius 200, 1000
- Material: stainless steel 1.4301, die-cast aluminium

Technical drawing

IMAGE 1/1



## Mechanical data

Attribute	ZBU5M
Dimensions	50 x 69 x 28,6 mm (H/B/T)
Door radius min.	200 mm
Overrun max.	5 mm
Usability of insertion funnel	no

## Material information

Attribute	ZBU5M
Housing material	Betaetiger/Schraube Stahl rostfrei

## Installation

Attribute	ZBU5M
Mounting type	screwed
Installation	arbitrary