



## Override key lock

### Product characteristics

- Material: stainless steel 1.4301

### Technical drawing

IMAGE 1/2: ZLO SCHLOSS VERSCHIEDENSCHLIEßEND /  
 INDIVIDUALSCHLÜSSEL, AUF 0° UND 180° ABZIEHBAR

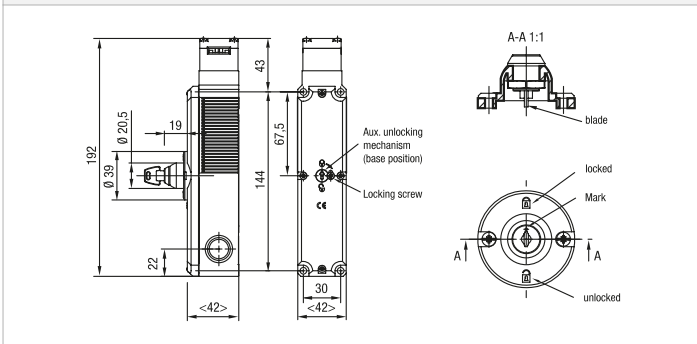
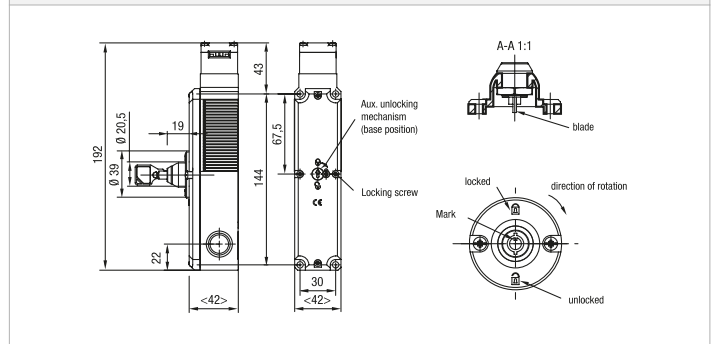


IMAGE 2/2: ZL1 SCHLOSS GLEICHSCHLIEßEND /  
 GENERALSCHLÜSSEL, AUF 0° UND 180° ABZIEHBAR



## Mechanical data

Attribute	ZL0	ZL1	ZL2
Dimensions	D 39 x 19 mm		-
Tightening position	2		-
Locking mode	individual locking	simultaneous locking	
Key type	Individual key	Universal key	Replacement key

## Material information

Attribute	ZL0	ZL1	ZL2
Housing material	Kunststoff		Stahl rostfrei

## Installation

Attribute	ZL0	ZL1	ZL2
Mounting type	screwed		-