



Insertion funnel

The large opening of the insertion funnel ensures actuators are reliably guided into the actuator head, which ensures the safety switch is protected from mechanical influences.

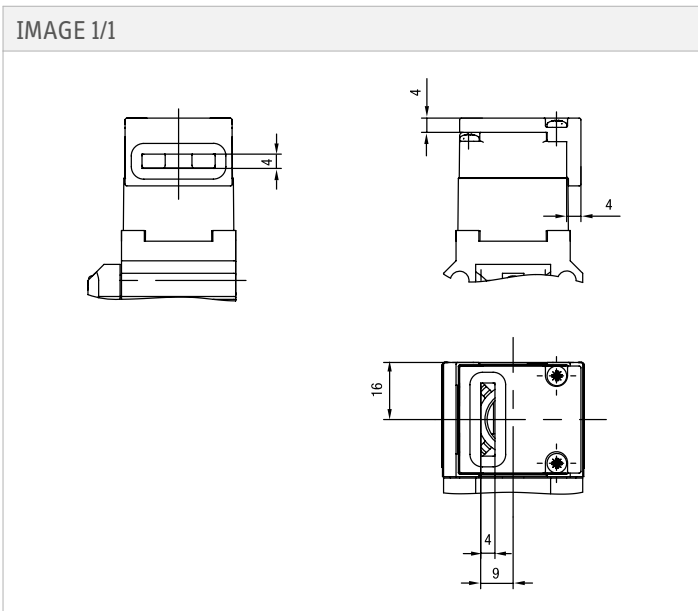
The insertion funnel is for use with the corresponding actuator.

Technical specification

- Material: stainless steel 1.4301

Note: minimal door radius with guide funnel $r > 300$ mm

Technical drawing



Mechanical data

Attribute	ZA0S
Dimensions	30 x 38 x 19 mm (H/B/T)
Door radius min.	300 mm

Material information

Attribute	ZA0S
Housing material	Edelstahl 1.4308

Installation

Attribute	ZA0S
Mounting type	screwed