



# Online Data Sheet

## Encoder WDG 58S CANopen

[www.wachendorff-automation.com/wdga58scan](http://www.wachendorff-automation.com/wdga58scan)

### Wachendorff Automation

#### ... systems and encoders

- Complete systems
- Industrial rugged encoders to suit your application
- Standard range and customer versions
- Maximum permissible loads
- 48-hour express production
- Made in Germany
- Worldwide distributor network

# Encoder WDGA 58S absolute CANopen magnetic, with EnDra®-Technology



**EnDra®**  
Technologie

**CANopen®**

- Resistance to salt mist (IEC 60068-2-11) succeeded
- Protection: IP67 + IP69k (high pressure / steam cleaning)
- EnDra®: maintenance-free and environmentally friendly
- CANopen, Single-turn and Multi-turn Communication Profile according to CiA 301
- Device Profile for encoder CiA 406 V3.2 class C2
- Single-turn/Multi-turn (16 bit / 43 bit)
- Forward-looking technology with 32 Bit processor
- 2-colour-LED as indicator for operating condition and error message appropriate CiA 303-3

[www.wachendorff-automation.com/wdga58scan](http://www.wachendorff-automation.com/wdga58scan)

**Salt mist IEC 60068-2-11**  
**High pressure / steam cleaning**

Mechanical Data	
<b>Housing</b>	
Flange	clamping flange
Flange material	Aluminum, anodized natur
Housing cap	steel case chrome-plated, magnetic shielding
Housing	Ø 58 mm
<b>Shaft(s)</b>	
Shaft material	stainless steel
Starting torque	approx. 1 Ncm at ambient temperature
Shaft	Ø 10 mm
Shaft length	L: 18 mm
Max. Permissible shaft loading radial	100 N
Max. Permissible shaft loading axial	100 N
<b>Bearings</b>	
Bearings type	2 precision ball bearings
Nomiale service life	1 x 10 <sup>9</sup> revs. at 100 % rated shaft load 1 x 10 <sup>10</sup> revs. at 40 % rated shaft load 1 x 10 <sup>11</sup> revs. at 20 % rated shaft load
Max. operating speed	3600 rpm
Machinery Directive: basic data safety integrity level	
MTTF <sub>d</sub>	1000 a
Mission time (TM)	20 a
Nomiale service life (L10h)	1 x 10 <sup>11</sup> revs. at 20 % rated shaft load and 3600 rpm
Diagnostic coverage (DC)	0 %
Electrical Data	
Power supply/Current consumption	10 VDC up to 32 VDC: typ. 50 mA
Power consumption	max. 0.5 W
Sensor data	
Single-turn technology	innovative hall sensor technology
Single-turn resolution	65,536 steps/360° (16 bit)
Single-turn accuracy	< ±0.35°
Single-turn repeat accuracy	< ±0.20°

Internal cycle time	600 µs
Multi-turn technology	patented EnDra® technology no battery and no gear.
Multi-turn resolution	up to 32 bit with high precision value up to 43 bit.

Environmental data	
<b>Environmental data:</b>	
ESD (DIN EN 61000-4-2):	8 kV
Burst (DIN EN 61000-4-4):	2 kV
includes EMC:	DIN EN 61000-6-2 DIN EN 61000-6-3
Vibration: (DIN EN 60068-2-6)	300 m/s <sup>2</sup> (10 Hz up to 2000 Hz)
Shock: (DIN EN 60068-2-27)	1000 m/s <sup>2</sup> (6 ms)
Design:	according DIN VDE 0160
Turn on time:	<1,5 s

Interface	
<b>Interface:</b>	<b>CAN</b>
Protocol:	CANopen <ul style="list-style-type: none"> <li>• Communication profil CiA 301</li> <li>• Device Profile for encoder CiA 406 V3.2 class C2</li> </ul>
Node number:	1 up to 127 (default 127)
Baud rate:	10 kBaud up to 1 MBaud with automatic bit rate detection.
Advice:	The standard settings as well as any customization in the software can be changed via LSS (CiA 305) and the SDO protocol, e. g. PDOs, Scaling, Heartbeat, Node-ID, Baud rate, etc.
Programmable CAN transmission modes:	<b>Synchronous mode:</b> when a synchronisation telegram (SYNC) is received from another bus node, PDOs are transmitted independently. <b>Asynchronous mode:</b> a PDO message is triggered by an internal event. (e.g. change of measured valued, internal timer, etc.)

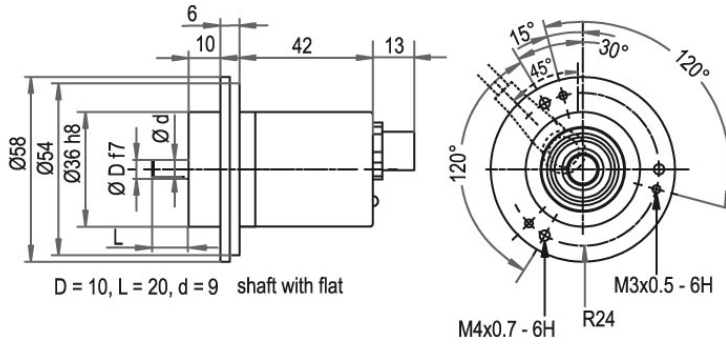
**General Data**

Weight	approx. 200 g
Connections	connector outlet
Protection rating (EN 60529)	Housing: IP65, IP67; shaft sealed: IP65
Operating temperature	-40 °C up to +85 °C
Storage temperature	-40 °C up to +100 °C

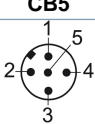
**More Information**

General technical data and safety instructions  
<http://www.wachendorff-automation.com/gtd>

Options  
<http://www.wachendorff-automation.com/acc>

**Connector, M12x1 CB5, 5-pin**

**Description**

**CB5** axial, 5-pin, shield connected to encoder housing

Assignments	
	<b>CB5</b> 
<b>(+) Vcc</b>	2
<b>GND</b>	3
<b>CANHigh</b>	4
<b>CANLow</b>	5
<b>CANGND shield</b>	1

Example Order No.	Type	Your encoder	
WDGA 58S	WDGA 58S	WDGA 58S	
<b>Shaft</b>			
10	Ø 10 mm	Order key	10
<b>Single-turn Resolution</b>			
12	Single-turn resolution 1 bit up to 16 bit: (e. G. 12 bit)	Order key	12
<b>Multi-turn Resolution</b>			
18	Multi-turn resolution: (examples) 18 bit = 18 43 bit = 43 no Multiturn = 00	Order key	18
<b>Data protocol</b>			
CO	CANopen	Order key	CO
<b>Software</b>			
A	up to date release	Order key	A
<b>Code</b>			
B	binary	Order key	B
<b>Power supply</b>			
0	10 V up to 32 V (standard)	Order key	0
<b>Galvanic isolation</b>			
0	no	Order key	0
<b>Electrical connections</b>			
CB5	<b>Connector:</b>	Order key	CB5
	sensor-connector, M12x1, 5-pin, axial, IP67, shield connected to encoder housing		

<b>Example Order No.</b>	WDGA 58S	10	12	18	CO	A	B	0	0	CB5
--------------------------	----------	----	----	----	----	---	---	---	---	-----

WDGA 58S											<b>Example Order No.</b>
----------	--	--	--	--	--	--	--	--	--	--	--------------------------



For further information please contact our local distributor.  
Here you find a list of our distributors worldwide.  
<https://www.wachendorff-automation.com/>



Wachendorff Automation GmbH & Co. KG  
Industriestrasse 7 • 65366 Geisenheim  
Germany

Phone: +49 67 22 / 99 65 25  
Fax: +49 67 22 / 99 65 70  
E-Mail: [wdg@wachendorff.de](mailto:wdg@wachendorff.de)  
[www.wachendorff-automation.de](http://www.wachendorff-automation.de)

