



Online Data Sheet

Encoder WDGA 36E RS485

www.wachendorff-automation.com/wdga36e-rs485

Wachendorff Automation

... systems and encoders

- Complete systems
- Industrial rugged encoders to suit your application
- Standard range and customer versions
- Maximum permissible loads
- 48-hour express production
- Made in Germany
- Worldwide distributor network

Encoder WDGA 36E absolut RS485 magnetic, with EnDra® Technology



EnDra®
Technologie

RS485

- EnDra® multiturn technology: maintenance-free and environmentally friendly
- RS485
- Single-turn/Multi-turn (max. 16 bit /32 bit)
- Forward-looking technology with 32 bit processor
- 2-colour-LED as indicator for operating condition
- CRC checksum

www.wachendorff-automation.com/wdga36e-rs485

Mechanical Data

Housing

Flange	hollow shaft (blind-bored)
Flange material	aluminum
Housing cap	steel case chrome-plated, magnetic shielding
- 1. Spring plate compensation	axial: ±1.2 mm, radial: ±0.4 mm
Housing	Ø 36 mm

Shaft(s)

Starting torque	approx. 1.6 Ncm at ambient temperature
-----------------	--

Shaft	Ø 8 mm
Insertion depth min.	10 mm
Insertion depth max.	14.5 mm
Max. Permissible shaft loading radial	80 N
Max. Permissible shaft loading axial	50 N

Shaft	Ø 10 mm
Insertion depth min.	10 mm
Insertion depth max.	14.5 mm
Max. Permissible shaft loading radial	80 N
Max. Permissible shaft loading axial	50 N

Shaft	Ø 12 mm
Insertion depth min.	10 mm
Insertion depth max.	14.5 mm
Max. Permissible shaft loading radial	80 N
Max. Permissible shaft loading axial	50 N

Shaft	Ø 14 mm
Insertion depth min.	10 mm
Insertion depth max.	14.5 mm
Max. Permissible shaft loading radial	80 N
Max. Permissible shaft loading axial	50 N

Shaft	Ø 15 mm
Insertion depth min.	10 mm
Insertion depth max.	14.5 mm

Max. Permissible shaft loading radial	80 N
---------------------------------------	------

Max. Permissible shaft loading axial	50 N
--------------------------------------	------

Bearings

Bearings type	2 precision ball bearings
Nominale service life	1 x 10 ⁹ revs. at 100 % rated shaft load 1 x 10 ¹⁰ revs. at 40 % rated shaft load 1 x 10 ¹¹ revs. at 20 % rated shaft load
Max. operating speed	6000 rpm

Machinery Directive: basic data safety integrity level

MTTF _d	1000 a
Mission time (TM)	20 a
Nominale service life (L10h)	1 x 10 ¹¹ revs. at 20 % rated shaft load and 6000 rpm
Diagnostic coverage (DC)	0 %

Electrical Data

Power supply/Current consumption	10 VDC up to 32 VDC: typ. 50 mA
Power consumption	max. 0.5 W
Power supply/Current consumption	4,75 VDC up to 5,5 VDC: typ. 80 mA
Power consumption	max. 0.44 W

Sensor data

Single-turn technology	innovative hall sensor technology
Single-turn resolution	up to 65,536 steps/360° (16 bit)
Single-turn accuracy	< ±0.35°
Single-turn repeat accuracy	< ±0.20°
Internal cycle time	600 µs
Multi-turn technology	patented EnDra® technology no battery no gear.
Multi-turn resolution	up to 32 bit.

Environmental data

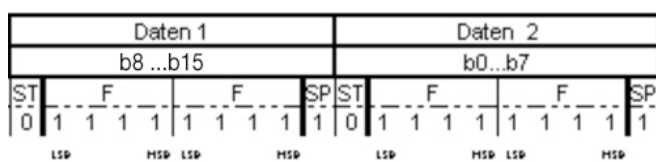
Environmental data:	
ESD (DIN EN 61000-4-2):	8 kV
Burst (DIN EN 61000-4-4):	2 kV
includes EMC:	DIN EN 61000-6-2 DIN EN 61000-6-3
Vibration: (DIN EN 60068-2-6)	50 m/s ² (10 Hz up to 2000 Hz)

Shock: (DIN EN 60068-2-27)	1000 m/s ² (6 ms)
Design:	according DIN VDE 0160
Turn on time:	<1,5 s

Interface

Interface:	RS485
Configuration inputs:	
Positive direction of counting: (View on shaft)	DIR = GND -> cw DIR = +Ub -> ccw
Set to zero:	Preset = apply +Ub for 2 s
Baud rate:	Standard: 9600 bit/s Other baud rates on request
Polling cycle:	Standard: 20 ms (Tolerances: +/- 2 ms) Other polling cycles on request
Telegram length:	6 byte singleturn, 8 byte multiturn
Telegram composition:	2 Byte Präambel, 2 / 4 Byte user data, 2 Byte CRC
Bytecomposition:	Startbit (0) and Stopbit (1), Bytes are Big-Endian and LSB first, no Paritybit
CRC-Definition:	Code: <ul style="list-style-type: none"> • CRC-CCITT 16 bit ($X^{16}+X^{12}+X^5+1$) • Startvalue 0x1021, • Start/Stopbits aren't included • Präambel (0xABCD) is included, • Byte-wise orientation: per CRC-Refresh there is used 1 Byte
Protocol malfunction behaviour:	If encoder recognizes that it's impossible to send a right positionvalue (e.G.: Magnet-loss), there will be send out a telegram with maximum value user Data at normalcycletime and normal Baudrate.

Protocol RS485



LED-behaviour:

At Start / while booting:	- red gleam (< 2.3 s)
Malfunction:	- constant red gleam (> 2.3 s)
Normal function:	- constant green gleam
No supply:	- no gleam

General Data

Weight	approx. 110 g
Connections	cable or connector outlet
Protection rating (EN 60529)	Housing: IP65, IP67; shaft sealed: IP65; (IP40 for K1)
Operating temperature	-40 °C up to +85 °C
Storage temperature	-40 °C up to +100 °C

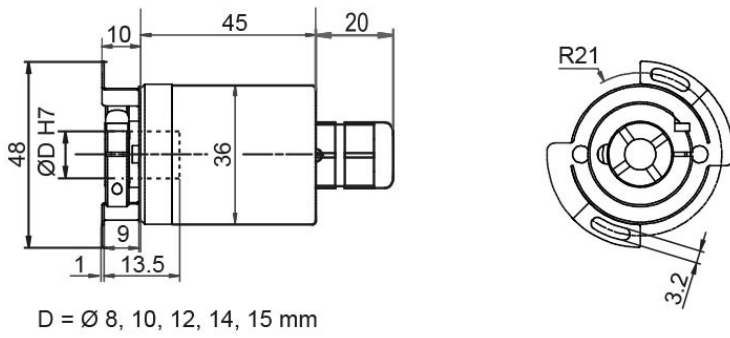
More Information

General technical data and safety instructions

<http://www.wachendorff-automation.com/gtd>

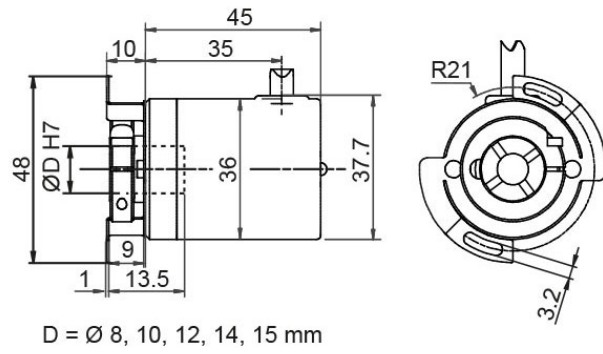
Options

<http://www.wachendorff-automation.com/acc>

Cable connection L2 with 2 m cable

Description

L2 axial, shield connected to encoder housing

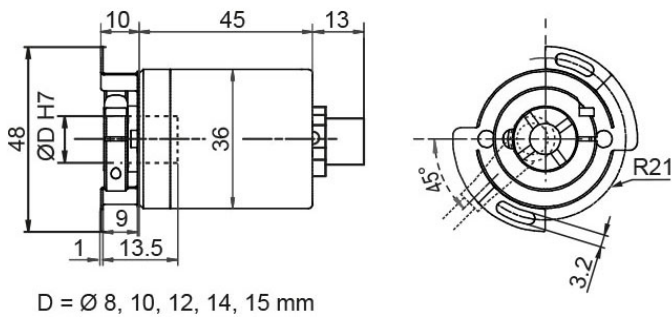
Assignments	
	L2
S- (GND)	WH
S+ (DCin)	BN
A (DATA+)	GY
B (DATA-)	PK
PRESET	BU
DIR	RD
Shield	housing

Cable connection, K1 with 2 m cable, IP40

Description

K1 radial, shield not connected

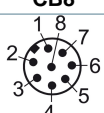
Assignments	
	K1
S- (GND)	WH
S+ (DCin)	BN
A (DATA+)	GY
B (DATA-)	PK
PRESET	BU
DIR	RD
Shield	housing n. c.

Connector, M12x1, CB8, axial, 8-pin



Description

CB8 axial, 8-pin, shield connected to encoder housing

Assignments	
	CB8 
S- (GND)	1
S+ (DCin)	2
A (DATA+)	5
B (DATA-)	6
PRESET	7
DIR	8
Shield	housing

Example Order No.	Type	Your encoder	
WDGA 36E	WDGA 36E	WDGA 36E	
	Shaft	Order key	
08	Ø 8 mm	08	
	Ø 10 mm	10	
	Ø 12 mm	12	
	Ø 14 mm	14	
	Ø 15 mm	15	
	Single-turn Resolution	Order key	
14	Single-turn resolution 1 bit up to 16 bit: (e. G. 14 bit)	14	
	Multi-turn Resolution	Order key	
18	Multi-turn up to 32 bit (e. G. 18 bit) (Single-turn + Multi-turn max. 32 bit) No Multi-turn: 00	18	
	Data protocol	Order key	
EI	RS485	EI	
	Software	Order key	
A	up to date release	A	
	Code	Order key	
B	binary	B	
	Power supply	Order key	
0	10 V up to 32 V (standard)	0	
	4.75 V up to 5.5 V	1	
	Galvanic isolation	Order key	
0	no	0	
	Electrical connections	Order key	
CB8	Cable:		
	axial, shield connected to encoder housing, with 2 m cable, IP67	L2	
	radial, shield not connected, with 2 m cable, IP40	K1	
	Connector:		
sensor-connector, M12x1, 8-pin, axial, IP67, shield connected to encoder housing	CB8		

Example Order No.	WDGA 36E	08	14	18	EI	A	B	0	0	CB8
--------------------------	----------	----	----	----	----	---	---	---	---	-----

WDGA 36E										Example Order No.
----------	--	--	--	--	--	--	--	--	--	--------------------------



For further information please contact our local distributor.
Here you find a list of our distributors worldwide.
<https://www.wachendorff-automation.com/>



Wachendorff Automation GmbH & Co. KG
Industriestrasse 7 • 65366 Geisenheim
Germany

Phone: +49 67 22 / 99 65 25
Fax: +49 67 22 / 99 65 70
E-Mail: wdg@wachendorff.de
www.wachendorff-automation.de

