

Datasheet

Length measurement system LMSMA22

www.wachendorff-automation.com/lmsma22

Wachendorff Automation

... systems and encoders

- Complete systems
- Industrial rugged encoders to suit your application
- Standard range and customer versions
- Maximum permissible loads
- 48-hour express production
- Made in Germany
- Worldwide distributor network

Robust length measurement system LMSMA22



- Compact system with new spring-loaded arm, including WDGI 58B encoder and 200 mm measuring wheel
- Up to 0.008 mm/impulse for measurement results
- Suitable for many surfaces
- Absorbent mounting
- Contact pressure – easily adaptable by intelligent central adjustment
- Versatile mounting (e.g. mounting profile)

www.wachendorff-automation.com/lmsma22

Resolution WDGI 58B10 with

200 ppr:	1 pulse/mm = 1.0 mm/pulse
2000 ppr:	10 pulses/mm = 0.1 mm/pulse
5000 ppr:	25 pulses/mm = 0.04 mm/pulse
25000 ppr:	125 pulses/mm = 0.008 mm/pulse

Mechanical Data of the system modules

Housing encoder

Flange	clamping flange
Flange material	aluminium
Housing cap	die cast aluminum, powder coated

Shaft(s)

Shaft material	stainless steel
Starting torque	approx. 1 Ncm at ambient temperature

Shaft	Ø 10 mm shaft with flat
Shaft length	L: 20 mm
Max. permissible shaft loading radial	220 N
Max. permissible shaft loading axial	120 N

Bearings

Max. operating speed	8000 rpm
----------------------	----------

Spring loaded arm

Adjustable prestressing force	0 N up to 30 N in steps of 5 N
Length of spring lever axis	120 mm
Material	die cast aluminum
Interlock	Spring loaded arm can be interlocked at 100° to start position
Contact pressure	adjustable, 10°-step equates 5 N pressure increase

Machinery Directive: basic data safety integrity level

MTTF _a	200 a
Mission time (T _M)	25 a
Nominale service life (L _{10h})	1 x 10 ¹¹ revs. at 20 % rated shaft load and 8000 rpm
Diagnostic coverage (DC)	0 %

Electrical Data

Power supply/	4.75 VDC up to 5.5 VDC: max. 100 mA
Current consumption	10 VDC up to 30 VDC: max. 100 mA
Output circuit	TTL, HTL
Channels	ABN and inverted signals
Load	max. 40 mA / channel
Circuit protection	10 VDC up to 30 VDC, HTL only

Accuracy

Phase offset	90° ± max. 7,5 % of the pulse length
pulse-/pause-ratio	50 % ± max. 7 %




General Data

Weight	approx. 880 g
Connection	Connector radial
Protection rating (EN 60529)	IP67, shaft sealed to IP65

Operating temperature

LMSxxxKH:	-10 °C up to +70 °C
LMSxxxKG:	-10 °C up to +70 °C
LMSxxxNG:	-10 °C up to +50 °C

Range of application measuring wheel U = 200 mm

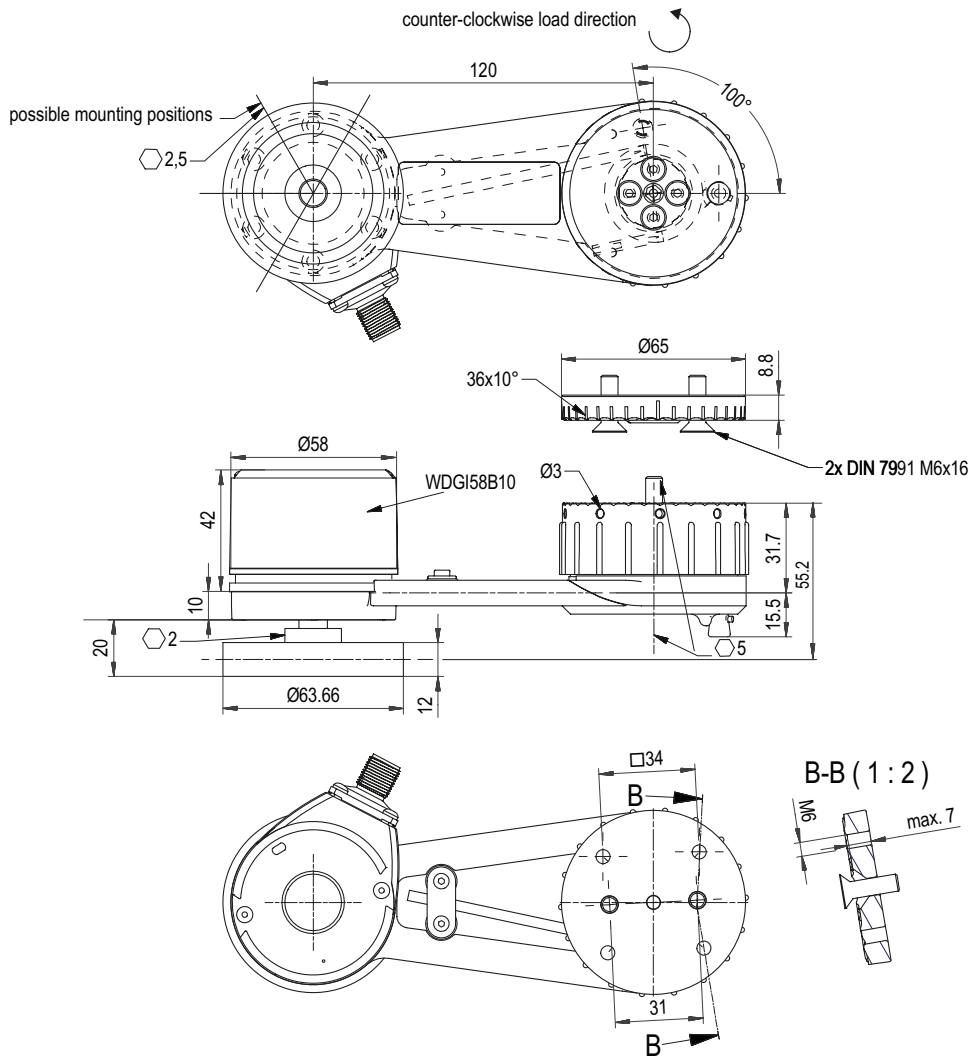
	LMSxxxKH: (even)	Plastic, painted surfaces, paper, paste-board, wood, metal, textiles.
	LMSxxxKG: (fluted)	Plastic, painted surfaces, paper, paste-board, wood, metal, textiles.
	LMSxxxNG: (pimpled)	Textiles.

More information

General technical data and safety incremental encoders
www.wachendorff-automation.com/gtd

Options
www.wachendorff-automation.com/acc

Sensor-connector (M12x1) SC, 8-pin



Description

SC8 radial, 8-pin, connector connected to encoder housing

Assignment	
	SC8
	8-pin
Circuit	F05, R05, F24, R24
GND	1
+UB	2
A	3
B	4
N	5
Light reserve warning	-
A inv.	6
B inv.	7
N inv.	8
n. c.	-
Shield	-

Order No.:



		LMSMA22100024KH10	LMSMA22100005KH10	LMSMA22100024KG10	LMSMA22100005KG10	LMSMA22100024NG10	LMSMA22100005NG10	LMSMA22010024KH10	LMSMA22010005KH10	LMSMA22010024KG10	LMSMA22010005KG10	LMSMA22010024NG10	LMSMA22010005NG10	LMSMA22004024KH10	LMSMA22004005KH10	LMSMA22004024KG10	LMSMA22004005KG10	LMSMA22004024NG10	LMSMA22004005NG10	LMSMA22000824KH10	LMSMA22000805KH10	LMSMA22000824KG10	LMSMA22000805KG10	LMSMA22000824NG10	LMSMA22000805NG10
mm/pulses	Pulses																								
1.0	200	•	•	•	•	•	•																		
0.1	2000					•	•	•	•	•	•														
0.04	5000											•	•	•	•	•	•								
0.008	25000																	•	•	•	•	•	•	•	
VDC																									
10 up to 30 HTL		•		•		•		•		•		•		•		•		•		•		•		•	
4.75 up to 5.5 TTL			•		•		•		•		•		•		•		•		•		•		•		
Range of appl.*		1	1	2	2	3	3	1	1	2	2	3	3	1	1	2	2	3	3	1	1	2	2	3	3

- * Range of application measuring wheel U = 200 mm
- 1 LMSxxxKH Plastic, painted surfaces, paper, pasteboard, wood, metal, textiles.
 - 2 LMSxxxKG Plastic, painted surfaces, paper, pasteboard, wood, metal, textiles.
 - 3 LMSxxxNG Textiles.

For further assistance please feel free to contact us.
 We would be happy to help you to find the suitable resolution, measurement wheel, cable length or other accessory to optimize your application.



For further information please contact our local distributor.
Here you find a list of our distributors worldwide.
http://www.wachendorff-automation.com/distributors_worldwide.html



Wachendorff Automation GmbH & Co. KG
Industriestrasse 7 • D-65366 Geisenheim

Tel.: +49 (0) 67 22 / 99 65 - 25
Fax: +49 (0) 67 22 / 99 65 - 70
E-Mail: wdg@wachendorff.de
www.wachendorff-automation.com

